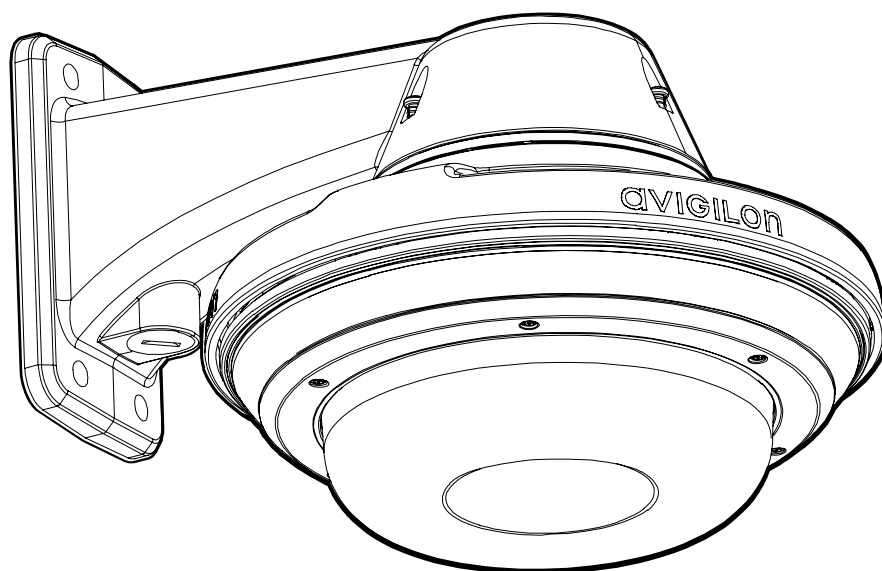


# AVIGILON™

a Motorola Solutions Company



## Installation Guide

### Avigilon H4A Multisensor Dome Camera Models:

9C-H4A-3MH-180

9C-H4A-3MH-270

12C-H4A-4MH-360

15C-H4A-3MH-180

15C-H4A-3MH-270

20C-H4A-4MH-360

24C-H4A-3MH-180

24C-H4A-3MH-270

32C-H4A-4MH-360

# Important Safety Information

This manual provides installation and operation information and precautions for the use of this device. Incorrect installation could cause an unexpected fault. Before installing this equipment read this manual carefully. Please provide this manual to the owner of the equipment for future reference.



This Warning symbol indicates the presence of dangerous voltage within and outside the product enclosure that may result in a risk of electric shock, serious injury or death to persons if proper precautions are not followed.



This Caution symbol alerts the user to the presence of hazards that may cause minor or moderate injury to persons, damage to property or damage to the product itself if proper precautions are not followed.



**WARNING** — Failure to observe the following instructions may result in severe injury or death.

- Installation must be performed by qualified personnel only, and must conform to all local codes.
- This product is intended to be supplied by a UL Listed Power Unit marked “Class 2” or “LPS” or “Limited Power Source” with output rated:
  - With IR LEDs: 24 V AC  $\pm$  10%, 74 VA minimum, or 24 V DC  $\pm$  10%, 52 W minimum, or a Microsemi PD9601G/AC (90 W) or Microsemi PD9501GR/AC (60 W) Power over Ethernet (PoE) mid-span injector.
  - Without IR LEDs: 24 V AC  $\pm$  10%, 37 VA minimum, or 24 V DC  $\pm$  10%, 26 W minimum, or PoE+ IEEE802.3at Type 2 compliant Power Sourcing Equipment (PSE) rated 50-57 V DC, 25.5 W minimum.
- Any external power supply connected to this product may only be connected to another Avigilon product of the same model series. External power connections must be properly insulated.
- Do not connect directly to mains power for any reason.



**CAUTION** — Failure to observe the following instructions may result in injury to persons or damage to the device.

- Do not install near any heat sources such as radiators, heat registers, stoves, or other sources of heat.
- Do not subject the device cables to excessive stress, heavy loads or pinching.
- Do not open or disassemble the device. There are no user serviceable parts.
- Refer all device servicing to qualified personnel. Servicing may be required when the device has been damaged (such as from a liquid spill or fallen objects), has been exposed to rain or moisture, does not operate normally, or has been dropped.
- Do not use strong or abrasive detergents when cleaning the device body.
- Use only accessories recommended by Avigilon.

# Regulatory Notices

This device complies with part 15 of the FCC Rules. Operation is subject to the following two conditions: (1) this device may not cause harmful interference, and (2) this device must accept any interference received, including interference that may cause undesired operation.

This Class B digital apparatus complies with Canadian ICES-003.

This equipment has been tested and found to comply with the limits for a Class B digital device, pursuant to Part 15 of the FCC rules. These limits are designed to provide reasonable protection against harmful interference in a residential installation. This equipment generates, uses and can radiate radio frequency energy and, if not installed and used in accordance with the instructions, may cause harmful interference to radio communications. However, there is no guarantee that interference will not occur in a particular installation. If this equipment does cause harmful interference to radio or television reception, which can be determined by turning the equipment off and on, the user is encouraged to try to correct the interference by one or more of the following measures:

- Reorient or relocate the receiving antenna.
- Increase the separation between the equipment and the receiver.
- Connect the equipment into an outlet on a circuit different from that to which the receiver is connected.
- Consult the dealer or an experienced radio/TV technician for help.

Changes or modifications made to this equipment not expressly approved by Avigilon Corporation or parties authorized by Avigilon Corporation could void the user's authority to operate this equipment.

# Disposal and Recycling Information

When this product has reached the end of its useful life, please dispose of it according to your local environmental laws and guidelines.

Risk of fire, explosion, and burns. Do not disassemble, crush, heat above 100 °C (212 °F), or incinerate.

## European Union:



This symbol means that according to local laws and regulations your product should be disposed of separately from household waste. When this product reaches its end of life, take it to a collection point designated by local authorities. Some collection points accept products for free. The separate collection and recycling of your product at the time of disposal will help conserve natural resources and ensure that it is recycled in a manner that protects human health and the environment.

# Legal Notices

© 2019, Avigilon Corporation. All rights reserved. AVIGILON, the AVIGILON logo, AVIGILON CONTROL CENTER, and ACC are trademarks of Avigilon Corporation. Other names or logos mentioned herein may be the trademarks of their respective owners. The absence of the symbols ™ and ® in proximity to each trademark in this document or at all is not a disclaimer of ownership of the related trademark. Avigilon Corporation protects its innovations with patents issued in the United States of America and other jurisdictions worldwide (see [avigilon.com/patents](http://avigilon.com/patents)). Unless stated explicitly and in writing, no license is granted with respect to any copyright, industrial design, trademark, patent or other intellectual property rights of Avigilon Corporation or its licensors.

## Disclaimer

This document has been compiled and published using product descriptions and specifications available at the time of publication. The contents of this document and the specifications of the products discussed herein are subject to change without notice. Avigilon Corporation reserves the right to make any such changes without notice. Neither Avigilon Corporation nor any of its affiliated companies: (1) guarantees the completeness or accuracy of the information contained in this document; or (2) is responsible for your use of, or reliance on, the information. Avigilon Corporation shall not be responsible for any losses or damages (including consequential damages) caused by reliance on the information presented herein.

Avigilon Corporation  
avigilon.com

PDF-H4AMH-A

Revision: 2 - EN

20190313

# Table of Contents

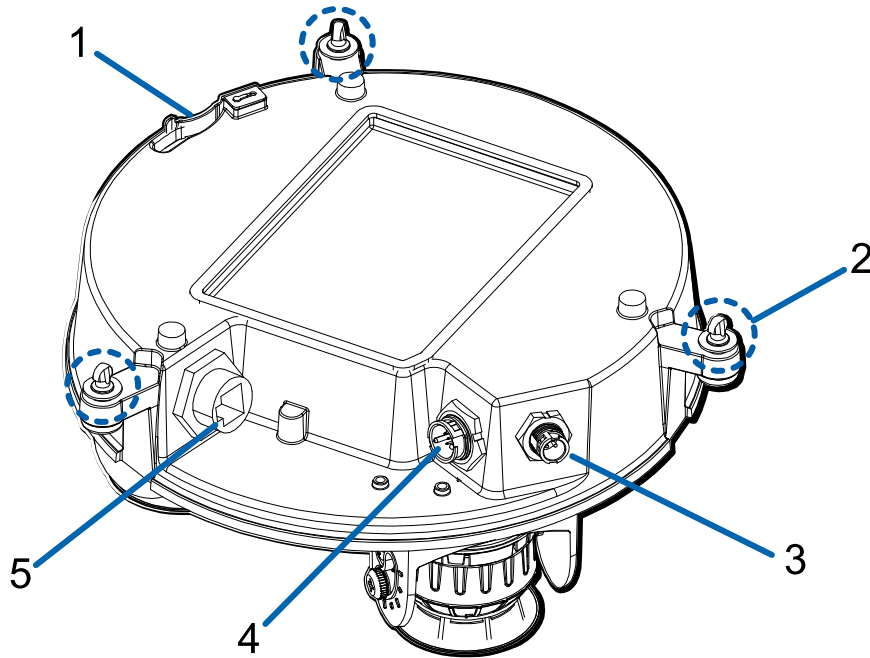
|  |           |
|--|-----------|
| <b>Overview</b> .....  | <b>7</b>  |
| Camera Module .....  | 7         |
| Camera Back View .....   | 7         |
| Camera Top View .....  | 8         |
| Surface Mount Adapter .....  | 9         |
| Pendant Mount Adapter .....  | 10        |
| In-Ceiling Mount Adapter .....                                     | 11        |
| Outdoor Dome Cover .....   | 12        |
| In-Ceiling Dome Cover .....  | 12        |
| Pendant Wall Mount .....   | 13        |
| Pendant NPT Mount .....  | 14        |
| <b>Pendant Mount Installation</b> .....                            | <b>15</b> |
| Camera Package Contents .....                                      | 15        |
| Pendant Mount Installation Steps .....                             | 15        |
| (Optional) Installing the Pendant Wall Mount .....                 | 16        |
| (Optional) Installing the NPT Mount Adapter .....                  | 18        |
| Installing the Pendant Mounting Adapter .....                      | 20        |
| Connecting Cables .....  | 21        |
| (Optional) Configuring microSD Card Storage .....                  | 23        |
| (Optional) Using the USB Wi-Fi Adapter .....                       | 24        |
| Assigning an IP Address .....                                      | 25        |
| Accessing the Live Video Stream .....                              | 25        |
| Installing the H4 Multisensor Camera Base to a Pendant Mount ..... | 26        |
| Aiming the H4 Multisensor Camera .....                             | 26        |
| (Optional) Installing the IR Illuminator Ring .....                | 27        |
| Installing the Pendant Mount Dome Cover .....                      | 29        |
| <b>Surface Mount Installation</b> .....                            | <b>31</b> |
| Camera Package Contents .....                                      | 31        |
| Surface Mount Installation Steps .....                             | 31        |
| Installing the Surface Mount Adapter .....                         | 31        |
| Connecting Cables .....  | 35        |
| (Optional) Configuring microSD Card Storage .....                  | 37        |
| (Optional) Using the USB Wi-Fi Adapter .....                       | 38        |
| Assigning an IP Address .....                                      | 39        |
| Accessing the Live Video Stream .....                              | 39        |

|   |           |
|---|-----------|
| Installing the H4 Multisensor Camera Base to a Surface Mount .....                | 39        |
| Aiming the H4 Multisensor Camera .....  | 40        |
| (Optional) Installing the IR Illuminator Ring .....                               | 41        |
| Installing the Surface Mount Dome Cover .....                                     | 43        |
| <b>In-Ceiling Mount Installation .....</b>  | <b>45</b> |
| Camera Package Contents .....   | 45        |
| In-Ceiling Mount Installation Steps .....   | 45        |
| Preparing the Camera for In-Ceiling Installation .....                            | 45        |
| (Optional) Cutting the Mounting Hole for the In-Ceiling Mount Adapter .....       | 46        |
| (Optional) Attaching the Conduit Cable Entry Cover for Plenum Installations ..... | 47        |
| Installing the In-Ceiling Mounting Adapter .....                                  | 48        |
| Connecting Cables .....   | 50        |
| (Optional) Configuring microSD Card Storage .....                                 | 52        |
| (Optional) Using the USB Wi-Fi Adapter .....                                      | 53        |
| Assigning an IP Address .....   | 53        |
| Accessing the Live Video Stream .....   | 54        |
| Installing the H4 Multisensor Camera Base to an In-Ceiling Mount .....            | 54        |
| Aiming the H4 Multisensor Camera .....  | 55        |
| Installing the In-Ceiling Mount Dome Cover .....                                  | 56        |
| <b>For More Information .....</b>   | <b>58</b> |
| <b>Cable Connections .....</b>  | <b>59</b> |
| Connecting to Power, Audio, and External Devices .....                            | 59        |
| Pigtail Connector and Wires .....   | 59        |
| Wiring Audio, I/O, and AUX Power .....  | 60        |
| <b>Focusing the H4 Multisensor Camera .....</b>                                   | <b>62</b> |
| <b>Connection Status LED Indicator .....</b>                                      | <b>63</b> |
| <b>Resetting to Factory Default Settings .....</b>                                | <b>64</b> |
| <b>Setting the IP Address Using the ARP/Ping Method .....</b>                     | <b>65</b> |
| <b>Cleaning .....</b>   | <b>66</b> |
| Dome Bubble .....   | 66        |
| Body .....  | 66        |
| <b>Limited Warranty and Technical Support .....</b>                               | <b>67</b> |

# Overview

## Camera Module

### Camera Back View



**1. Lanyard anchor**

The safety lanyard attaches to the anchor to prevent the camera from falling during installation.

**2. Camera mounting screws**

Captive screws to fix the camera to the mounting adapter.

**3. IR ring cable connector**

Accepts IR cable connection to power and control the IR illuminator ring.

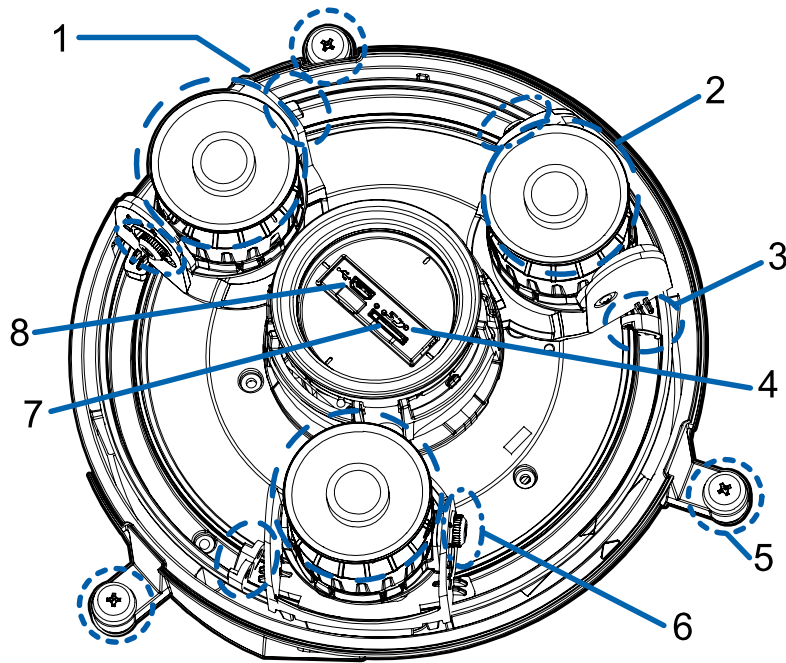
**4. Audio, I/O, Aux power connector**

Accepts connection of the audio, I/O, and Aux power pigtail connector.

**5. Ethernet port**

Accepts an Ethernet connection to a network. Server communication and image data transmission occurs over this connection. Also receives power when it is connected to a network that provides Power over Ethernet.

## Camera Top View



1. **Serial number tag**

Device information, product serial number and part number label.

2. **Camera heads**

The multiple camera heads that can be moved, aimed and focused to monitor different scenes.

**NOTE:** There may be three or four camera heads depending on your camera model.

3. **Pan lock latch**

Provides a locking mechanism for the image pan adjustment.

4. **Firmware revert button**

Resets the H4 Multisensor camera. For more information, see *Resetting to Factory Default Settings* on page 64.

5. **Camera mounting screws**

Captive screws to fix the camera to the mounting adapter.

6. **Tilt lock thumb screw**

Provides a locking mechanism for the image tilt adjustment.

7. **microSD card slot**

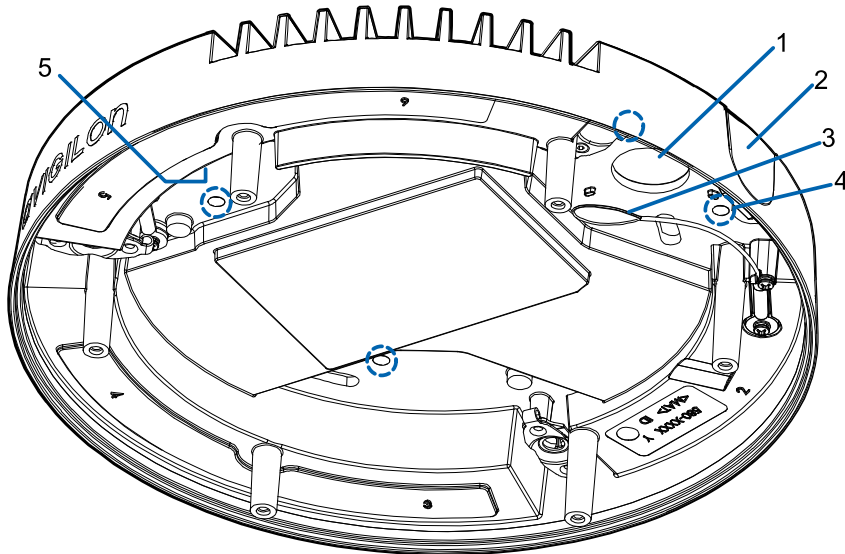


Accepts a microSD card for onboard storage.

#### 8. **Micro USB port**

Accepts a micro USB to USB adapter. Only required when using the Avigilon USB Wi-Fi Adapter.

## Surface Mount Adapter



#### 1. **Cable entry hole (rear)**

An entry hole for the cables required for camera operation.

#### 2. **Cable entry hole (side)**

An entry hole for the cables required for camera operation.

#### 3. **Lanyard to dome cover**

Connects to the lanyard anchor on the dome cover.

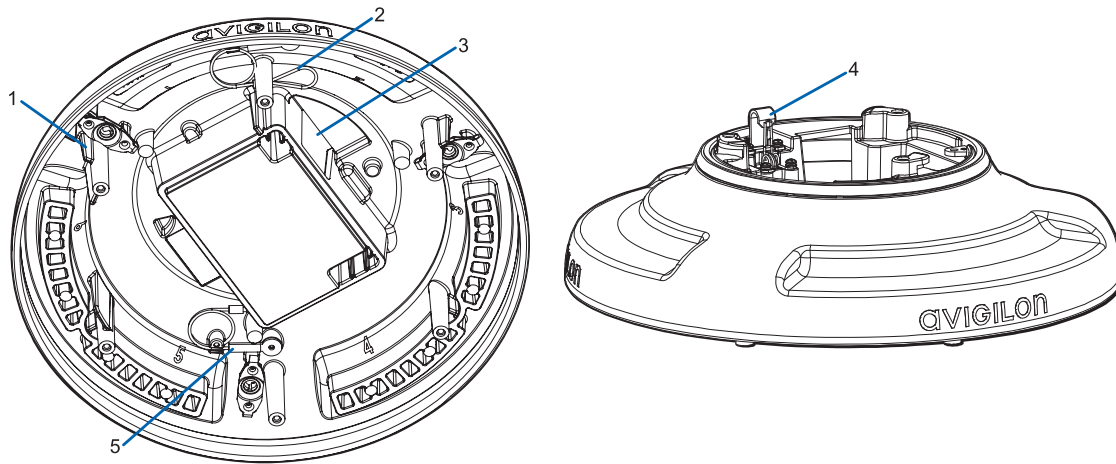
#### 4. **Mounting holes**

Mounting points for the mount adapter.

#### 5. **Lanyard to camera**

Connects to the lanyard anchor on the camera base.

## Pendant Mount Adapter



**1. Orange ribs**

Two orange-colored ribs that are used to align with the lanyard clip on the dome cover.

**2. Lanyard to dome cover**

Connects to the lanyard anchor on the dome cover.

**3. Cable entry hole**

An entry hole for the cables required for camera operation.

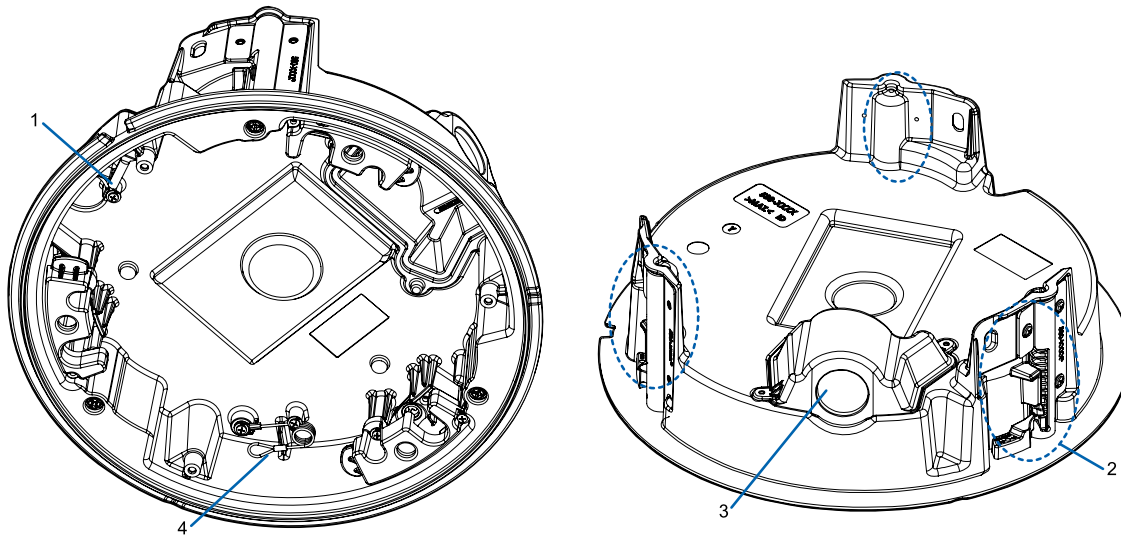
**4. Lanyard anchor**

The safety lanyard attaches to the anchor to prevent the adapter from falling during installation.

**5. Lanyard to camera**

Connects to the lanyard anchor on the camera base.

## In-Ceiling Mount Adapter



**1. Lanyard to camera**

Connects to the lanyard anchor on the camera base.

**2. Clamps**

Spring loaded locking mechanisms that secure the camera to the mounting surface.

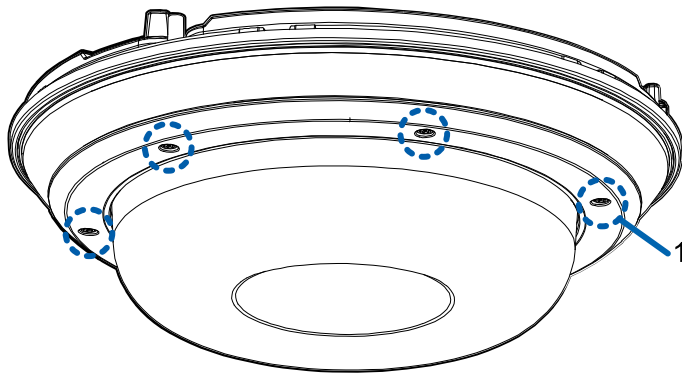
**3. Cable entry hole and conduit cable entry cover**

An entry hole for the cables required for camera operation.

**4. Lanyard to dome cover**

Connects to the lanyard anchor on the dome cover.

## Outdoor Dome Cover

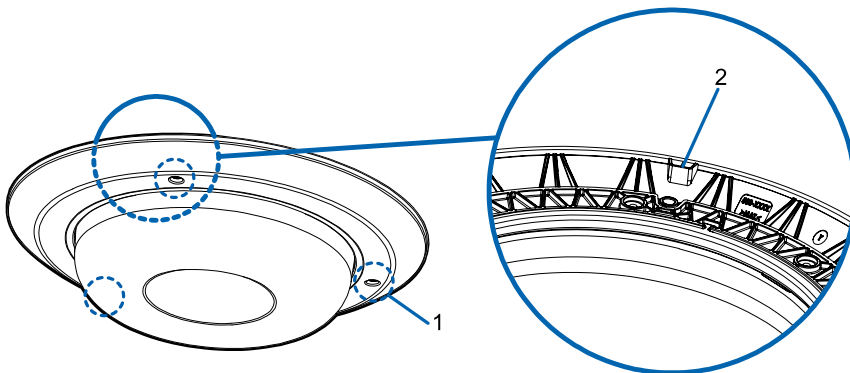


### 1. Tamper resistant screws

Star-shaped captive screws to fix the dome cover to the base.

**NOTE:** There are 6 captive screws on the dome cover. Only 4 screws are shown in the figure above.

## In-Ceiling Dome Cover



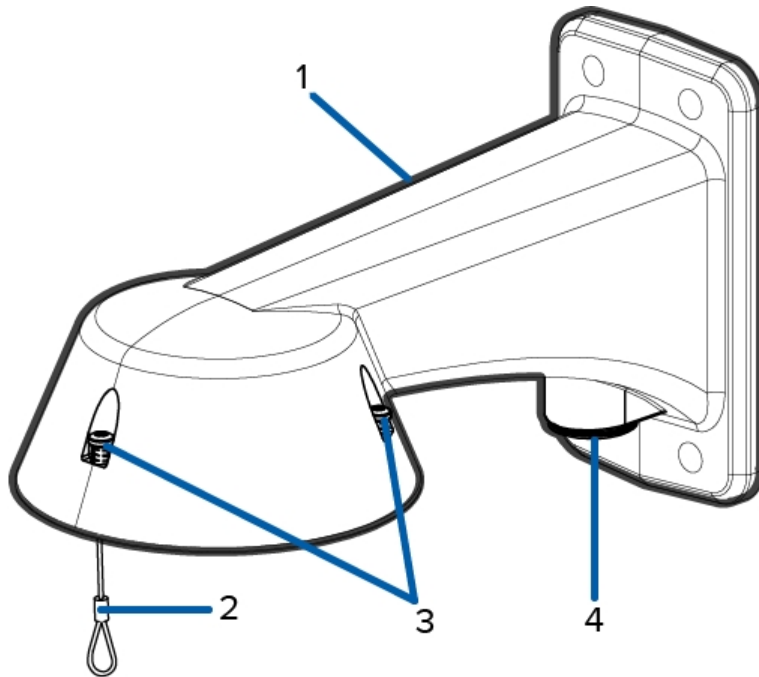
### 1. Tamper resistant screws

Star-shaped captive screws to fix the dome cover to the base.

### 2. Dome cover notch

Notch used to align the dome cover with the mounting adapter clip notch when installing the dome cover.

## Pendant Wall Mount



1. **Pendant wall mount**

Camera mount for walls and other mounting surfaces.

2. **Lanyard**

Connects to the lanyard anchor on the mounting adapter.

3. **Tamper resistant screws**

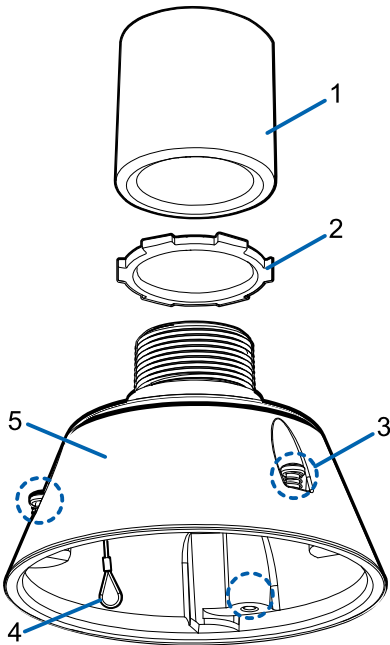
Star-shaped captive screws to fix the mounting adapter to the pendant wall mount.

**NOTE:** There are 3 captive screws on the pendant mount. Only 2 screws are shown in the figure above.

4. **NPT pipe entry hole**

A 3/4" NPT threaded hole for NPT pipe conduits.

## Pendant NPT Mount



1. **NPT pipe**

NPT pipe used for a pendant mount with the NPT adapter (IRPTZ-MNT-NPTA1).

**NOTE:** The NPT pipe is not an included accessory supplied by Avigilon and should be sourced separately.

2. **Lock nut**

Locking nut for securing the pendant NPT mount on the NPT pipe.

3. **Tamper resistant screws**

Star-shaped captive screws to fix the mounting adapter to the pendant NPT mount.

**NOTE:** There are 3 captive screws on the NPT mount. Only 2 screws are shown in the figure above.

4. **Lanyard**

Connects to the lanyard anchor on the mounting adapter.

5. **NPT adapter**

Used to mount the dome camera to NPT pipes.

# Pendant Mount Installation

## Camera Package Contents

The H4 Multisensor camera has a variety of different mounting, dome cover, camera and accessory options. The components for each H4 Multisensor camera will arrive in a camera package, a dome cover package, a mounting adapter package, a mount package (for pendant mount cameras), and an optional IR Ring package.

Ensure the camera package contains the following:

- Avigilon H4 Multisensor Camera module. A 3- or 4-sensor camera module with 3 MP, 5 MP, or 4K (8 MP) resolution per sensor.
- Audio, external power, and I/O pigtail cable connector
- RJ45 CAT5E plugs (x2)
- RJ45 connector waterproof gland

Ensure the Pendant mount adapter package contains the following:

- Pendant mount adapter (H4AMH-AD-PEND1)
- Installation instructions sheet

If you are installing the camera with the pendant wall mount, ensure the package includes the following:

- Pendant wall mount (IRPTZ-MNT-WALL1)
- Mounting template sticker

If you are installing the camera with the NPT mount, ensure the package includes the following:

- NPT mount (IRPTZ-MNT-NPTA1)
- Lock nut
- Thread sealing tape

Ensure the dome cover package contains the following:

- Clear or smoked dome bubble and cover (H4AMH-DO-COVR1 or H4AMH-DO-COVR1-SMOKE)

If you are installing the camera with the optional IR illuminator, ensure the package includes the following:


- Optional IR illuminator ring (H4AMH-AD-IRIL1)

## Pendant Mount Installation Steps

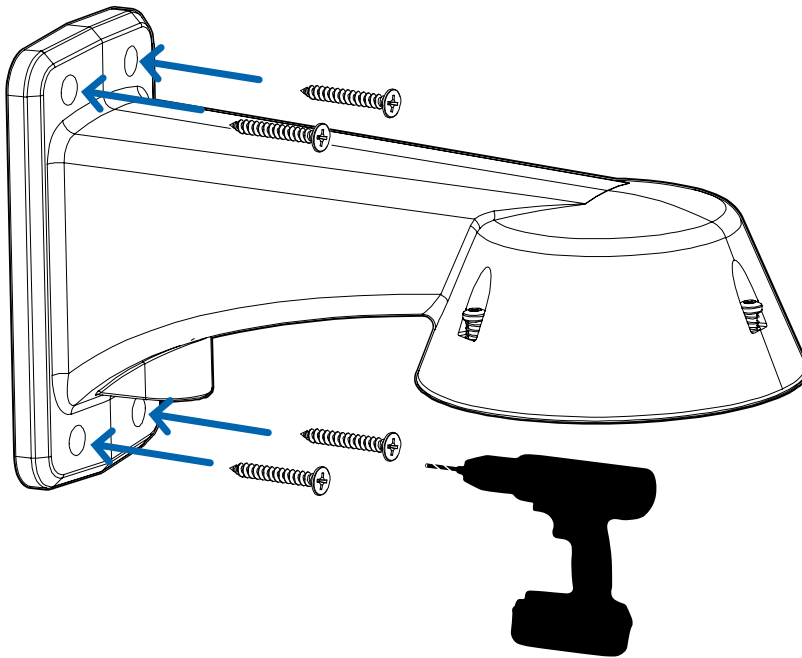
Complete the following sections to install the device.

## (Optional) Installing the Pendant Wall Mount

Use the procedure below to install the pendant wall mount (IRPTZ-MNT-WALL1) for use with the H4 Multisensor pendant mount adapter (H4AMH-AD-PEND1).

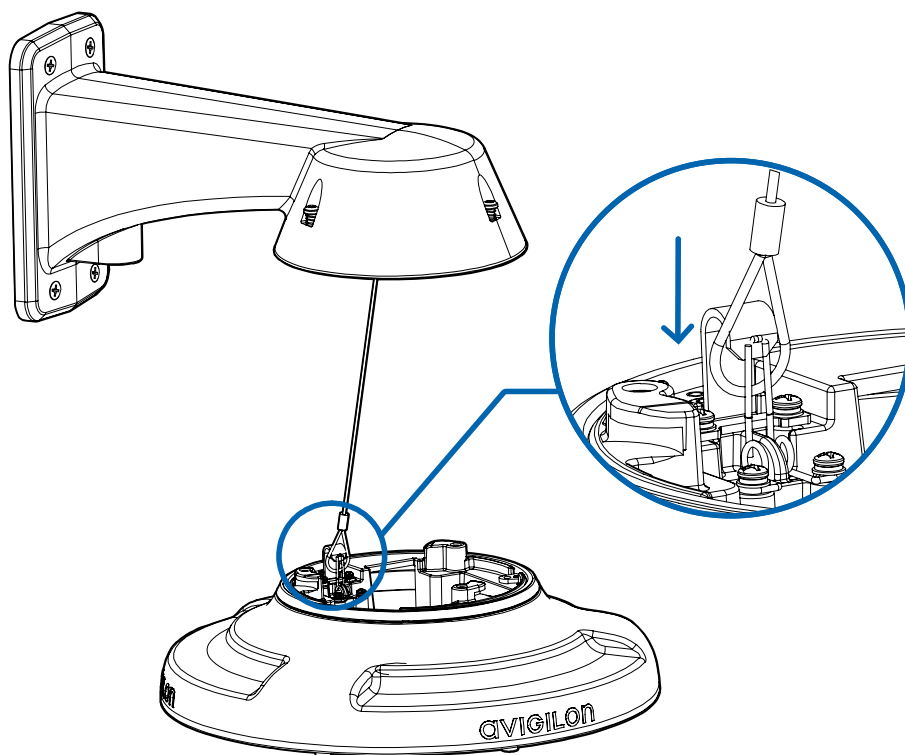
 **CAUTION** — The dome camera must be mounted as instructed below or problems with moisture may arise and will not be covered by the dome camera warranty.

1. Determine where the cable will enter the pendant wall mount.
  - If the cable will be pulled from inside the mounting surface, use the cable entry hole at the rear of the pendant wall mount.
  - If the cable will be coming out of an external conduit pipe, use the 3/4" NPT pipe entry hole on the bottom of the pendant wall mount.
2. Use the provided mounting template to drill four mounting holes into the mounting surface.
  - If you are using the rear cable entry hole, also drill the cable entry hole into the mounting surface.
3. Pull the required cables through the preferred cable entry hole on the pendant wall mount.
  - If you are using the pipe entry hole, pull the cables through the pipe conduit then the wall mount. Next, apply thread seal tape to the pipe conduit and screw it into the pipe entry hole.
4. Fasten the pendant wall mount to the mounting surface.

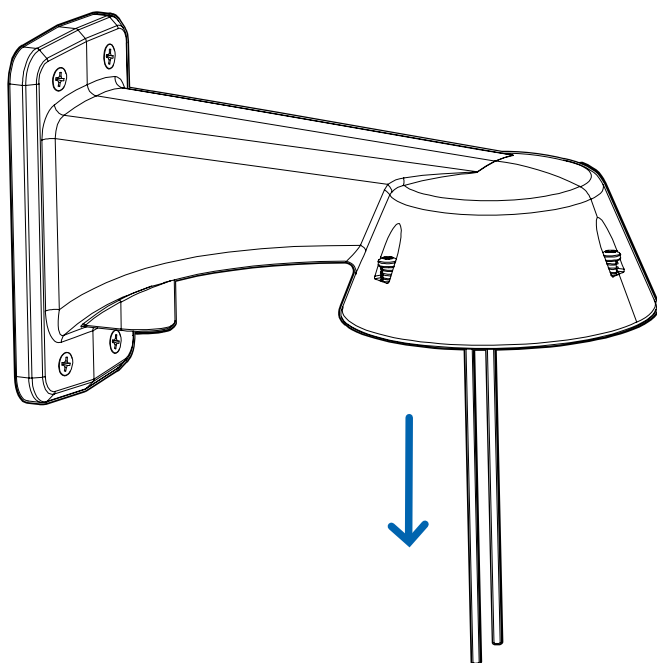


5. Tighten the wall mount screws to secure the wall mount to the wall.
6. Connect the safety lanyard from the mount to the anchor on the pendant adapter.





7. Pull the cables through the pendant wall mount.



## (Optional) Installing the NPT Mount Adapter

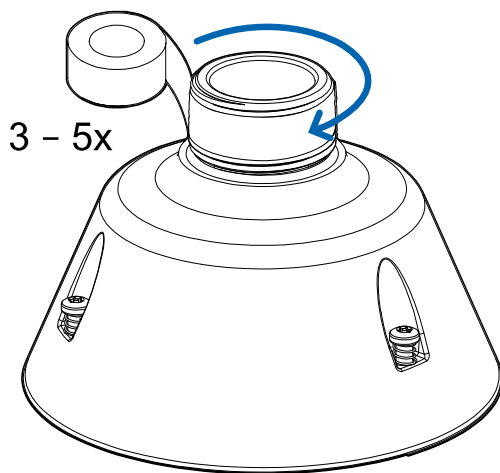


**CAUTION** — The dome camera must be mounted as instructed below or problems with moisture may arise and will not be covered by the dome camera warranty.

If you are installing the H4 Multisensor camera with an NPT adapter (IRPTZ-MNT-NPTA1), the dome camera must be mounted on a 1-1/2" NPT female threaded wall or ceiling mounting bracket. The mounting bracket is not included in the camera package.

1. Wrap the thread of the NPT adapter with the supplied thread-sealing tape to create a water tight seal around the camera connection. There should be three to five turns around the entire threaded surface.

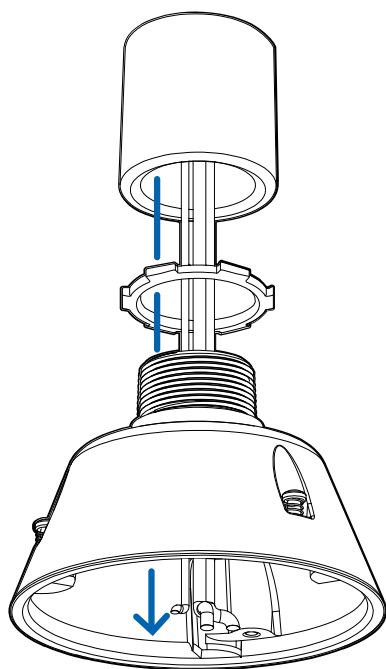
When applying the thread-sealing tape, wrap the tape clockwise.



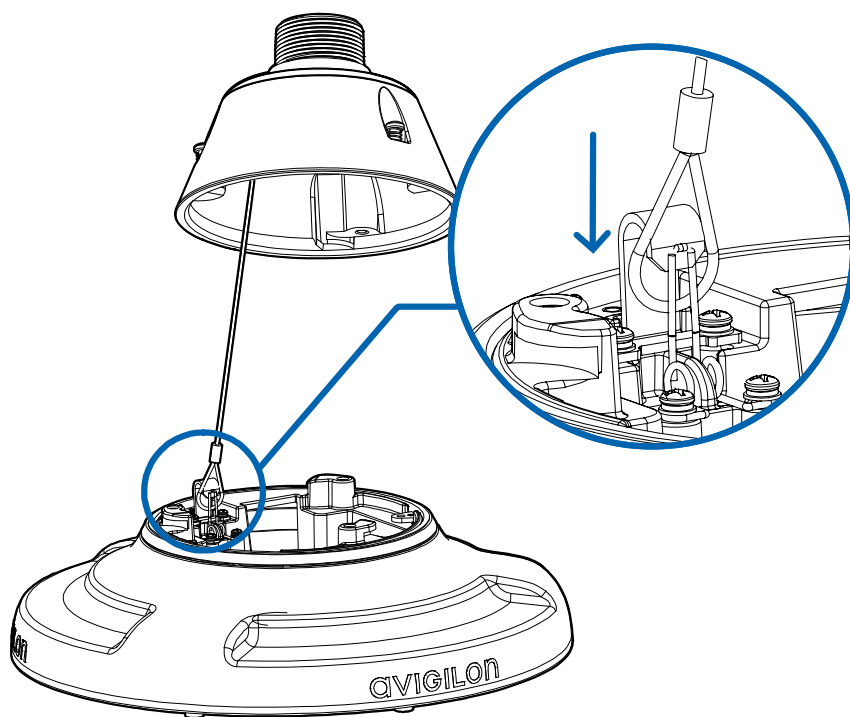
This will ensure the tape does not unravel when installing the mating parts together.

**Tip:** Always apply thread-sealing tape to threaded mounts to help prevent the threads from binding.

2. Loosely thread the lock nut onto the NPT adapter, then secure the NPT adapter into the wall or ceiling mounting bracket.



3. Connect the safety lanyard from the mount to the anchor on the pendant adapter.

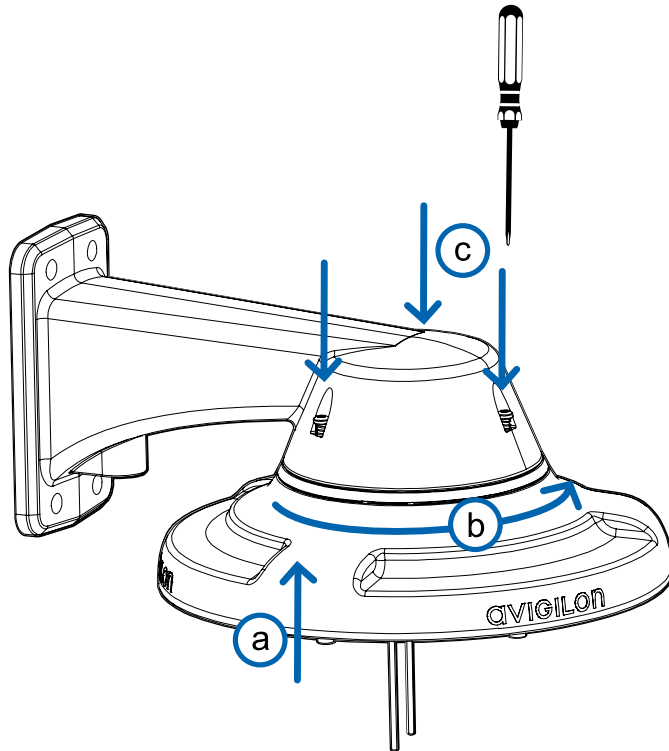


4. Pull the cables through the mounting bracket and adapter.

## Installing the Pendant Mounting Adapter

Use the following procedure to mount the pendant adapter (H4AMH-AD-PEND1) into a pendant wall mount (IRPTZ-MNT-WALL1) or NPT mount (IRPTZ-MNT-NPTA1).

1. Connect the pendant adapter to the mount. In one smooth motion, raise the adapter into the mount (a) and then turn clockwise to lock the adapter in place (b).



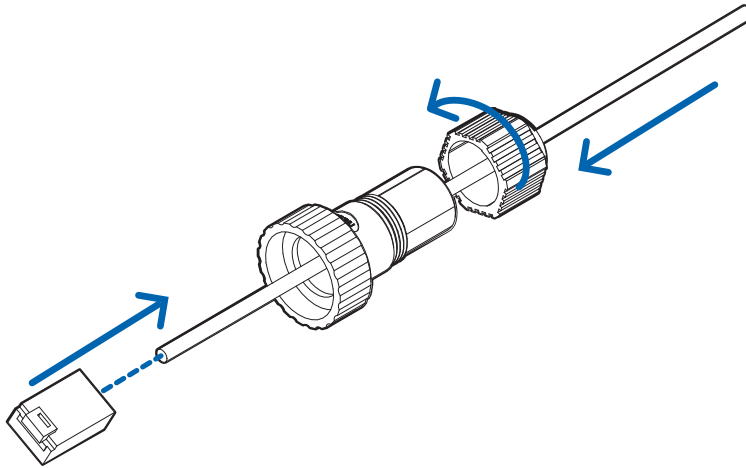
2. Use a screwdriver to tighten the 3 setscrews at the top of the mount to secure the pendant adapter to the mount (c).

## Connecting Cables

Refer to the diagrams in the Overview section for the location of the different connectors.

To connect the cables required for proper operation, complete the following:

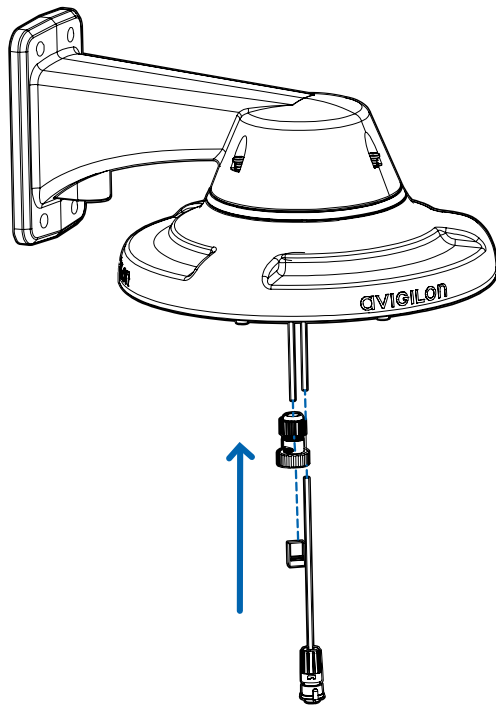
1. Feed the network cable through the gland cap and cable gland. Crimp the RJ-45 cable connector (supplied) to the end of your network cable.



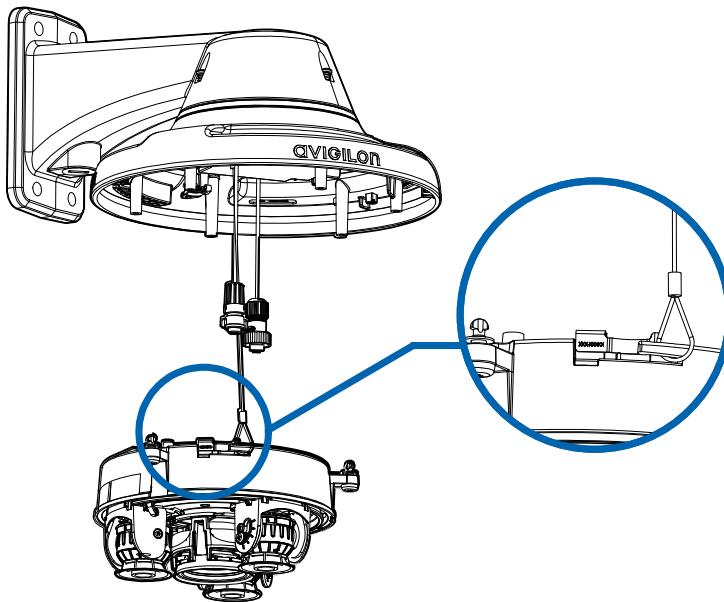
The network cable connection can also be used to supply power to the camera using Power over Ethernet (PoE). If using PoE, connect a PoE compliant injector or switch to the Ethernet network cable with the output rated:

- With IR Ring: Microsemi PD9601G/AC (90 W) or Microsemi PD9501GR/AC (60 W) Power over Ethernet mid-span injector.
  - Without IR Ring: 25.5 W PoE+, IEEE802.3at Type 2 PoE+.
2. Connect the following optional connections to the supplied pigtail I/O connector. See *Connecting to Power, Audio, and External Devices* on page 59 for more information on the different connections.
    - a. If external input or output devices are part of the installation (for example: door contacts, relays, etc.), wire those devices to the pigtail connector.
    - b. If an external microphone or speaker is required, connect the devices to the pigtail connector.
    - c. If external power is required, connect an external "Class 2" or "LPS" or "Limited Power Source" to the pigtail connector with output rated:
      - With IR Ring: 24 VAC  $\pm$  10%, 74 VA minimum, or 24 VDC  $\pm$  10%, 52 W minimum.

- Without IR Ring: 24 VAC  $\pm$  10%, 37 VA minimum, or 24 VDC  $\pm$  10%, 26 W minimum.

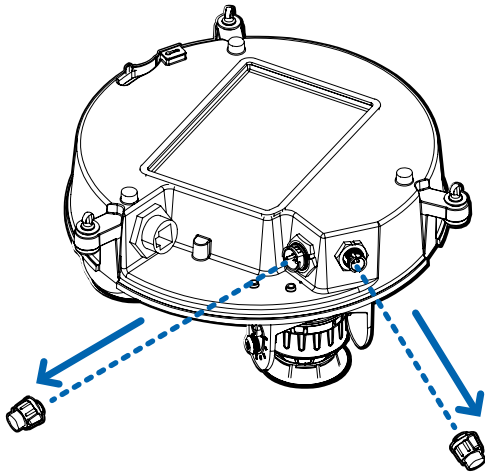


3. Connect the safety lanyard from the mounting adapter to the lanyard anchor on the camera base.

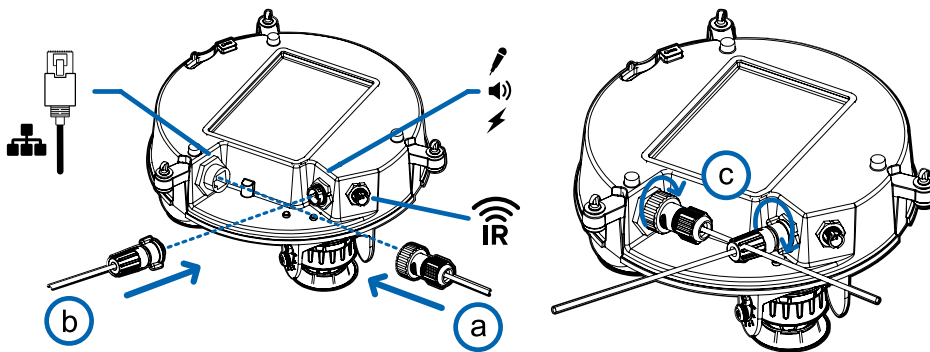


4. Tighten the cable glands around the cables.
5. Remove the connector covers from the external power/audio/digital I/O connector and the optional

IR illuminator connector.



6. Connect the network cable to the Ethernet port (a) and the external power/audio/digital I/O cable to its connector (b). Secure the connections by turning them clockwise (c).



The Link LED will turn on once a network link has been established.

7. Check that the Connection Status LED indicator indicates the correct state. For more information, see *Connection Status LED Indicator* on page 63.

### (Optional) Configuring microSD Card Storage

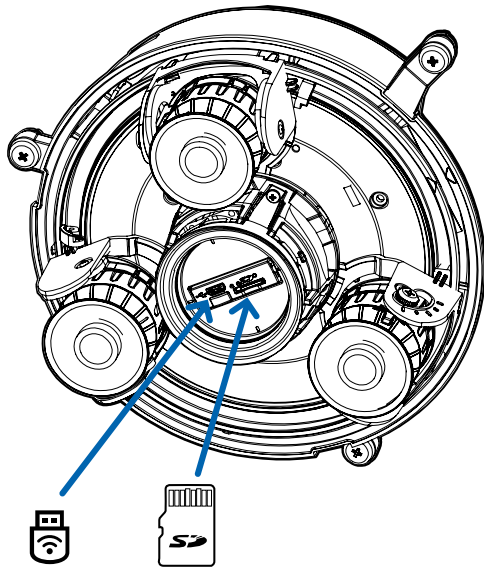
To use the camera's SD card storage feature, you must insert a microSD card into the card slot.

It is recommended that the microSD card have a write speed of class 10 or better. If the microSD card does not meet the recommended write speed, the recording performance may suffer and result in the loss of frames or footage.

1. Insert a microSD card into the camera.



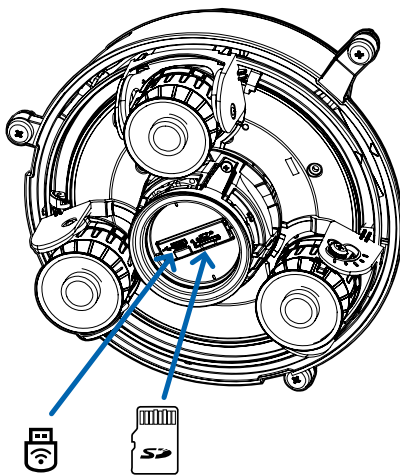
**CAUTION** — Do not force the microSD card into the camera or you may damage the card and the camera.



2. Access the camera's web interface to enable the onboard storage feature. For more information, see the *Avigilon High Definition H.264 Camera Web Interface User Guide*.

### (Optional) Using the USB Wi-Fi Adapter

If you have a USB Wi-Fi Adapter (H4-AC-WIFI), attach it to the camera's micro USB port to access the camera's mobile web interface.



After you connect to the Wi-Fi signal broadcast by the adapter, you can access the mobile web interface from any mobile device using the following address:

<http://camera.lan>



For more information about configuring the camera from the mobile web interface see *Avigilon USB Wi-Fi Adapter System User Guide*.

**NOTE:** The camera will reserve the 10.11.22.32/28 subnet for internal use while the USB Wi-Fi Adapter is plugged in.

## Assigning an IP Address

The device automatically obtains an IP address when it is connected to a network.

**NOTE:** If the device cannot obtain an IP address from a DHCP server, it will use Zero Configuration Networking (Zeroconf) to choose an IP address. When set using Zeroconf, the IP address is in the 169.254.0.0/16 subnet.

The IP address settings can be changed using one of the following methods:

- The mobile web interface using the USB Wifi Adapter. For more information, see *(Optional) Using the USB Wi-Fi Adapter* on the previous page.
- Device's web browser interface: `http://<camera IP address>/`.
- Network Video Management software application (for example, the AvigilonControl Center™ software).
- ARP/Ping method. For more information, see *Setting the IP Address Using the ARP/Ping Method* on page 65.

**NOTE:** The default device username is `administrator` with no password.

**NOTE:** You will be unable to connect an H4 Multisensor camera to ACC™ software version 6.12 or older if any of the H4 Multisensor heads have their **Format** set to **H.265** on the Compression and Image Rate page of the camera's web interface. To connect an H4 Multisensor camera to an ACC system, be sure to set the **Format** to **H.264** or to upgrade the ACC software to v6.12.2 or later.

## Accessing the Live Video Stream

Live video stream can be viewed using one of the following methods:

- The mobile web interface using the USB Wifi Adapter. For more information, see *(Optional) Using the USB Wi-Fi Adapter* on the previous page.
- Web browser interface: `http://< camera IP address>/`.
- Network Video Management software application (for example, the AvigilonControl Center software).

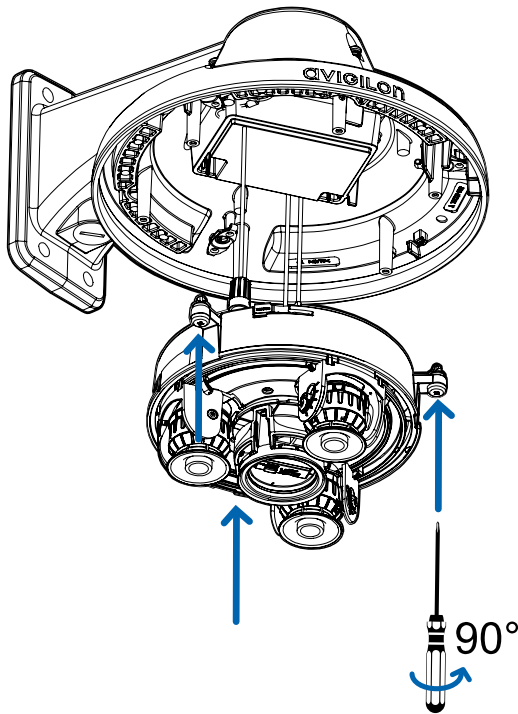
**NOTE:** The default device username is `administrator` with no password.

**NOTE:** You will be unable to connect an H4 Multisensor camera to ACC software version 6.12 or older if any of the H4 Multisensor heads have their **Format** set to **H.265** on the Compression and Image Rate page of the camera's web interface. To connect an H4 Multisensor camera to an ACC system, be sure to set the **Format** to **H.264** or to upgrade the ACC software to v6.12.2 or later.

## Installing the H4 Multisensor Camera Base to a Pendant Mount

After the cable connections have been made, mount the H4 Multisensor camera base into the pendant mount adapter.

1. (Recommended) Attach a safety lanyard from the pendant mount adapter to the lanyard anchor on the camera base to prevent the camera from falling. See *Connecting Cables* on page 21.
2. Push the camera base into the pendant adapter so that the 3 setscrews in the camera base align with the screw holes in the pendant adapter.

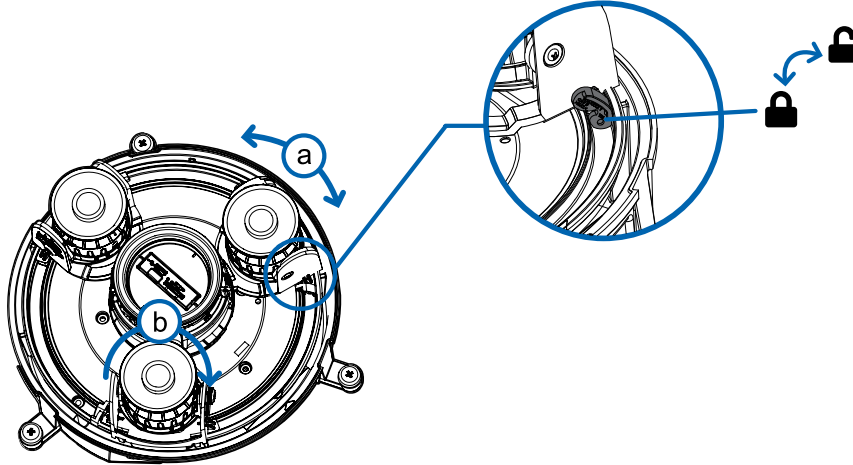


3. Use a screwdriver to turn the 3 setscrews clockwise by 90° and secure the camera to the pendant mount adapter.

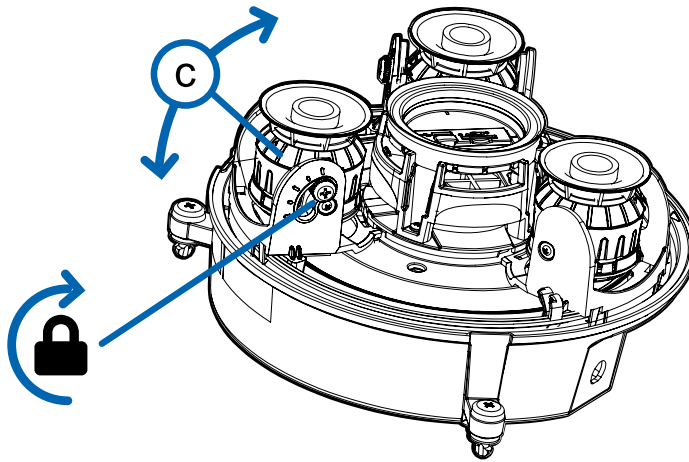
## Aiming the H4 Multisensor Camera

Reference the camera's live stream as you aim the camera.

1. To aim the camera, adjust each of the available camera heads as required:
  - a. Unlock the rail release tab to move the camera head from side to side. Lock the rail release tab when the camera head is in the desired position.
  - b. Rotate the azimuth control ring to set the image in the correct rotation.



- c. Loosen the tilt lock screws to tilt each camera head up and down. Tighten the tilt lock screws when the camera is tilted in the correct angle.



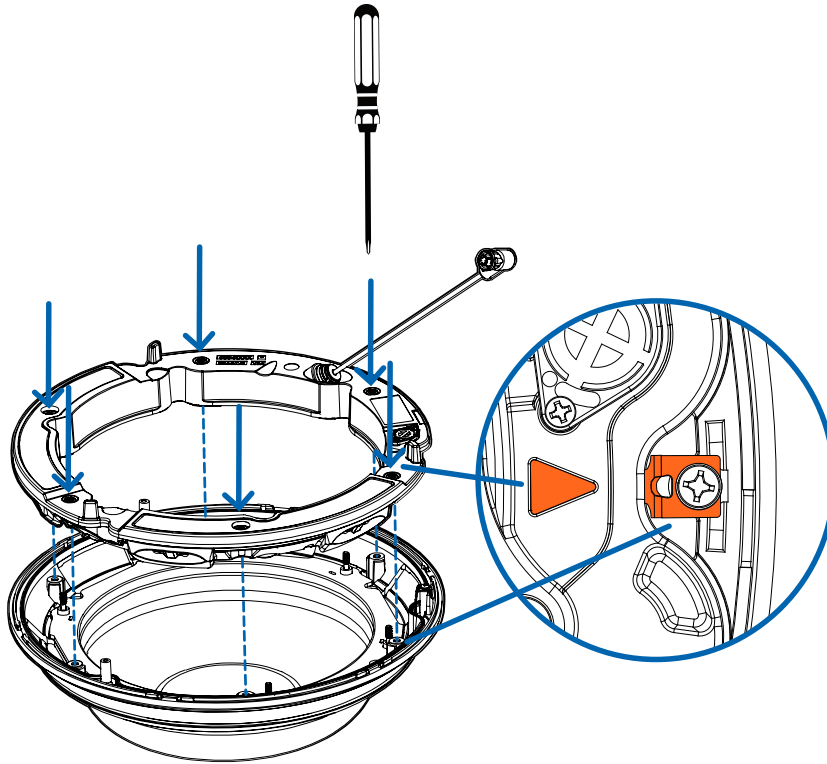
2. In the camera web browser interface, adjust the camera's Image and Display settings to achieve the desired image parameters and position.

### (Optional) Installing the IR Illuminator Ring

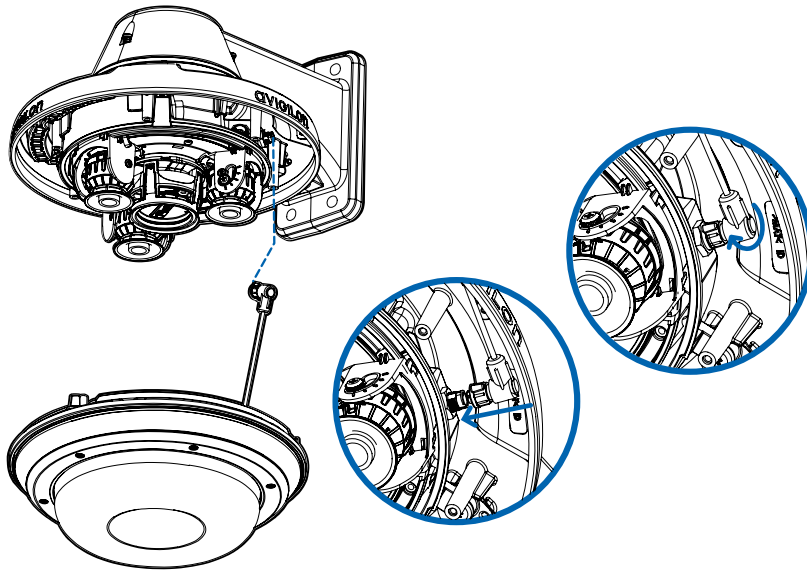
**NOTE:** The optional IR illuminator ring (H4AMH-AD-IRIL1) is compatible with the pendant and surface mount installations of the H4 Multisensor camera. The IR illuminator ring must be mounted in an outdoor dome cover (H4AMH-DO-COVR1 or H4AMH-DO-COVR1-SMOKE).

After the camera has been mounted into the mounting adapter, install the IR illuminator ring with the H4 Multisensor camera base:

1. Mount the IR illuminator ring into the dome cover (H4AMH-DO-COVR1 or H4AMH-DO-COVR1-SMOKE):
  - a. Insert the IR ring into the dome cover so that the orange arrow on the IR ring aligns with the orange tab on the dome cover.



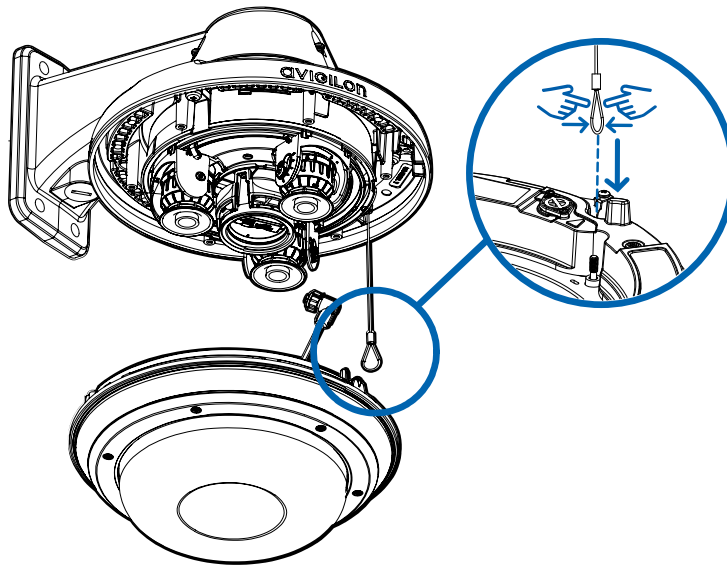
- b. Use a screwdriver to secure the IR ring to the dome cover by tightening the 6 setscrews.
2. (Recommended) Attach a safety lanyard from the mounted camera to the lanyard anchor on the dome cover to prevent the cover from falling. See *Installing the Pendant Mount Dome Cover* on the next page.
3. Push the IR ring cable onto IR connector on the camera base and turn the connector clockwise to secure the connection.



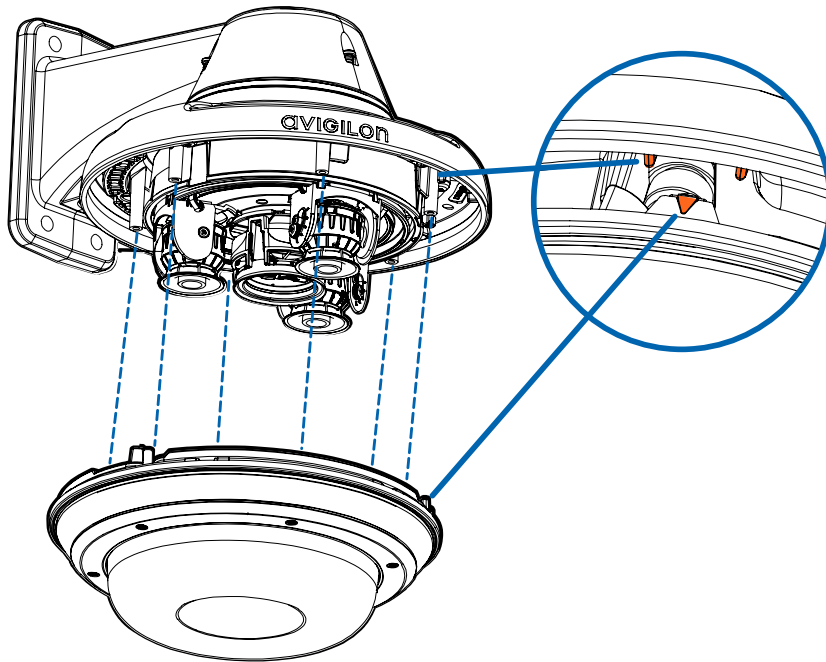
### Installing the Pendant Mount Dome Cover

**NOTE:** Be careful not to scratch or touch the dome bubble. The resulting marks or fingerprints may affect the overall image quality. Keep the protective covers on the outside of the dome bubble until the installation is complete.

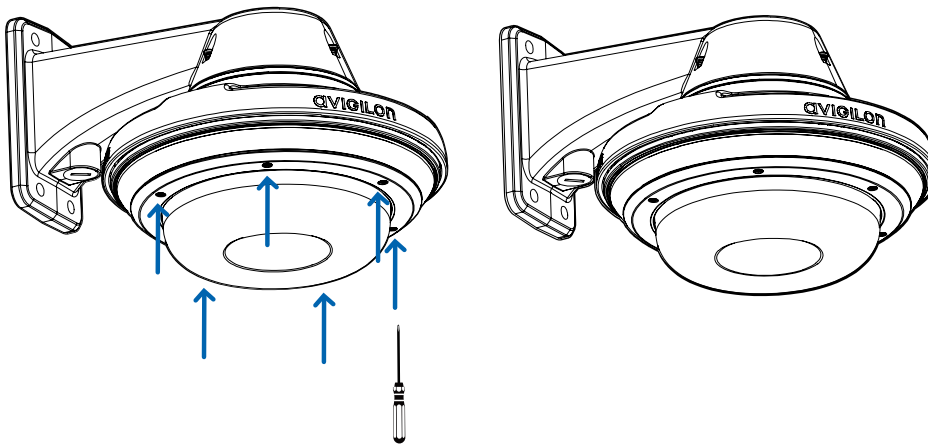
1. (Recommended) Attach a safety lanyard from the pendant mount adapter to the lanyard anchor on the dome cover to prevent the dome cover from falling.



2. Align the notches on the dome cover with the release tab on the pendant mount adapter. The dome cover should be flush against the pendant mount adapter.



3. Tighten the setscrews to secure the dome cover in place.



# Surface Mount Installation

## Camera Package Contents

The H4 Multisensor camera has a variety of different mounting, dome cover, camera and accessory options. The components for each H4 Multisensor camera will arrive in a camera package, a dome cover package, a mounting adapter package, a mount package (for pendant mount cameras), and an optional IR Ring package.

Ensure the camera package contains the following:

- Avigilon H4 Multisensor Camera module. A 3- or 4-sensor camera module with 3 MP, 5 MP, or 4K (8 MP) resolution per sensor.
- Audio, external power, and I/O pigtail cable connector
- RJ45 CAT5E plugs (x2)
- RJ45 connector waterproof gland

Ensure the Surface mount adapter package contains the following:

- Surface mount adapter (H4AMH-AD-DOME1)
- Installation instructions sheet
- Mounting template sticker

Ensure the dome cover package contains the following:

- Clear or smoked dome bubble and cover (H4AMH-DO-COVR1 or H4AMH-DO-COVR1-SMOKE)

If you are installing the camera with the optional IR illuminator, ensure the package includes the following:

- Optional IR illuminator ring (H4AMH-AD-IRIL1)

## Surface Mount Installation Steps

Complete the following sections to install the device.

### Installing the Surface Mount Adapter

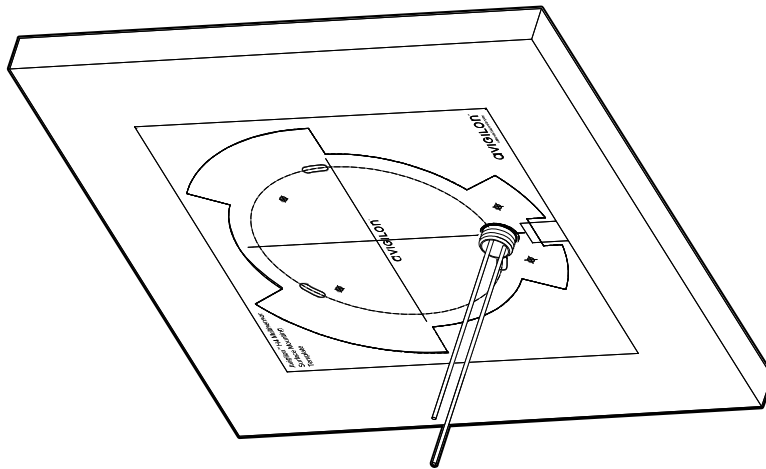
Follow this procedure to route camera cables and install the surface mount adapter (H4AMH-AD-DOME1) to the mounting surface.

1. Determine where the cables will enter the camera. The surface mount adapter has two cable entry holes: one on the side and one on the bottom of the mounting adapter.
  - Use the supplied closure plug to fill the unused cable entry hole.
  - When installing outdoors, wrap the threads of the closure plug with plumber's tape to create a watertight seal.

**NOTE:** Only use vandal-resistant conduits to route cables into the mounting adapter. Vandal-resistant conduits will protect the cables and compliment the camera's vandal-resistant design.

**NOTE:** When installing the H4 Multisensor surface mount camera outdoors, ensure the conduit and its fitting are designed for outdoor use and have a suitable IP rating. Always apply silicone sealant to seal the cable entry hole and prevent excessive moisture from entering the camera.

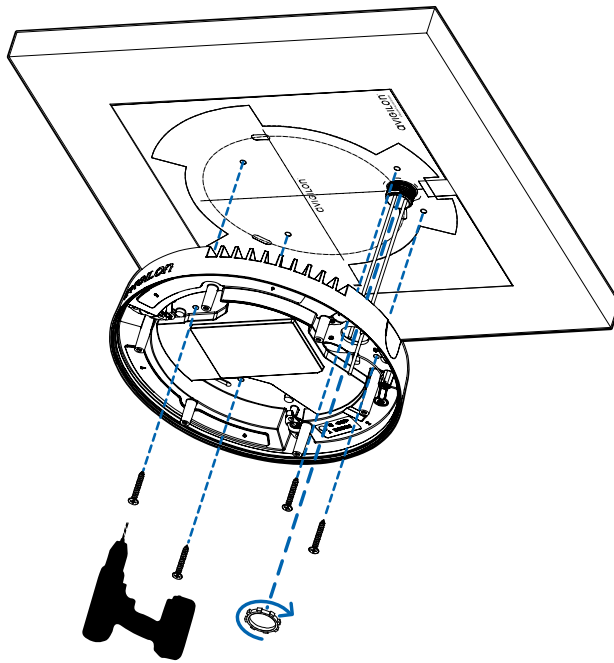
2. If you are using the rear cable entry hole:
  - a. Use the supplied mounting template to determine the cable entry location. Drill a hole in the mounting surface and route the conduit and cables through the hole. Install the conduit and its fitting as instructed by the manufacturer.



- b. Drill 4 mounting holes as marked on the mounting template.
- c. Pull the cables through the rear cable entry hole on the surface mount adapter.
- d. Use a screwdriver to secure the mounting adapter to the mounting surface with the 4 mounting



screws.



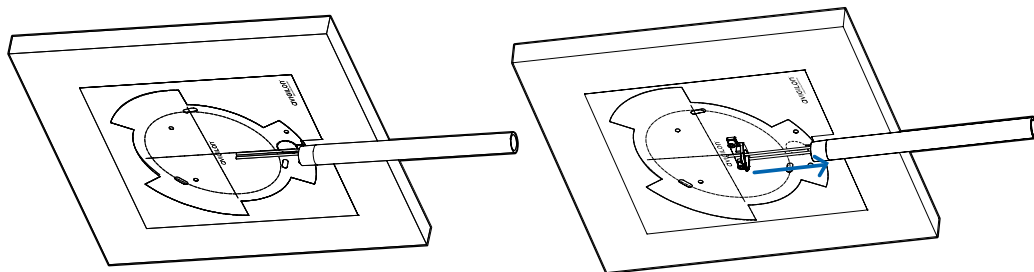
- e. Secure the conduit to the surface mount adapter with the lock nut.

**NOTE:** If installing outdoors, apply silicone sealant around the edge of the surface mount adapter that is connected to the mounting surface.

3. If you are using the side cable entry hole:

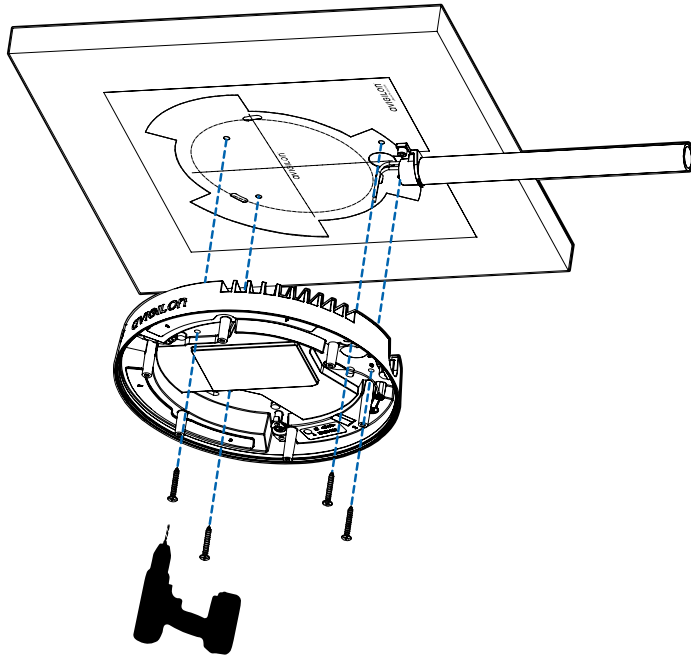
**NOTE:** If you are installing the camera outdoors on a vertical surface, the side cable entry hole and conduit connector must face downwards to prevent excessive moisture from entering the camera.

- a. Use the supplied mounting template to determine the cable entry location. Run the cables and conduit to the side opening as marked on the mounting template. Install the conduit and its fitting as instructed by the manufacturer.

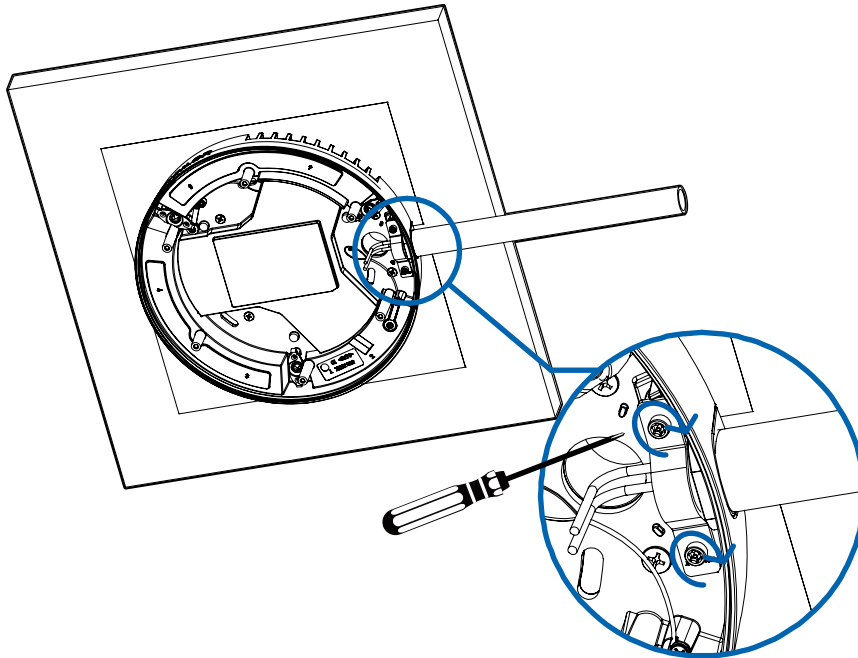


- b. Drill 4 mounting holes as marked on the mounting template.
- c. Pull the cables through the side cable entry hole on the surface mount adapter.
- d. Use a screwdriver to secure the mounting adapter to the mounting surface with the 4 mounting

screws.



- e. Secure the conduit to the surface mount adapter with the conduit clamp.



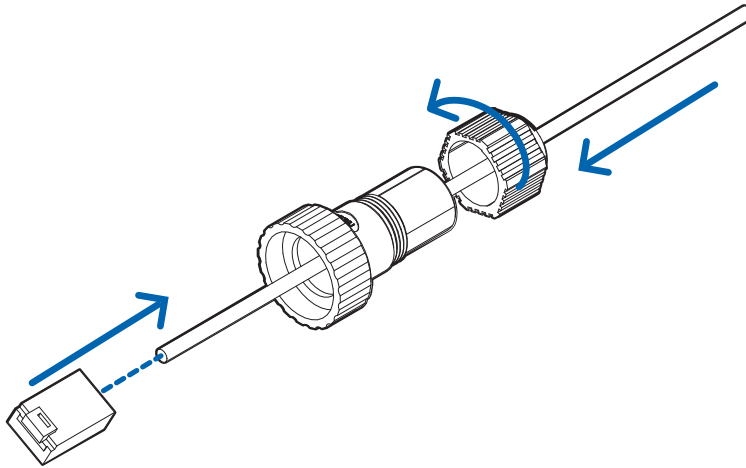
**NOTE:** If installing outdoors, apply silicone sealant around the edge of the surface mount adapter that is connected to the mounting surface.

## Connecting Cables

Refer to the diagrams in the Overview section for the location of the different connectors.

To connect the cables required for proper operation, complete the following:

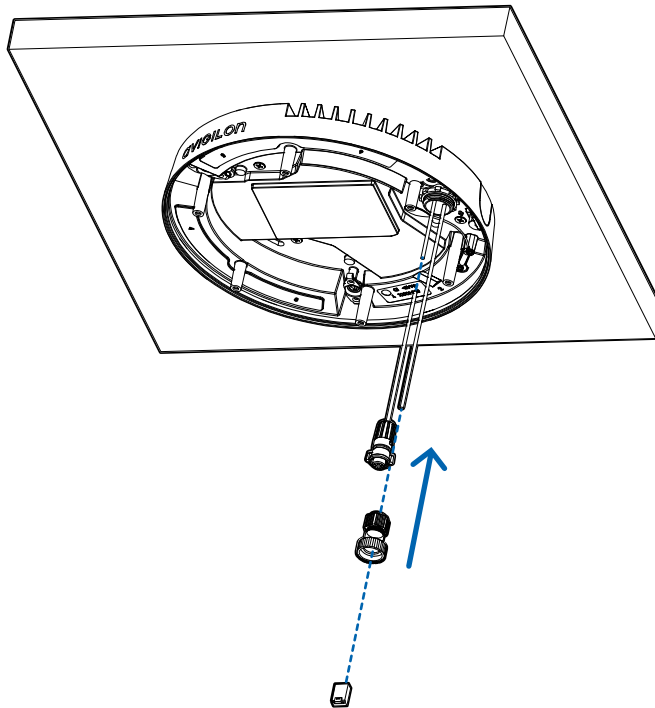
1. Feed the network cable through the gland cap and cable gland. Crimp the RJ-45 cable connector (supplied) to the end of your network cable.



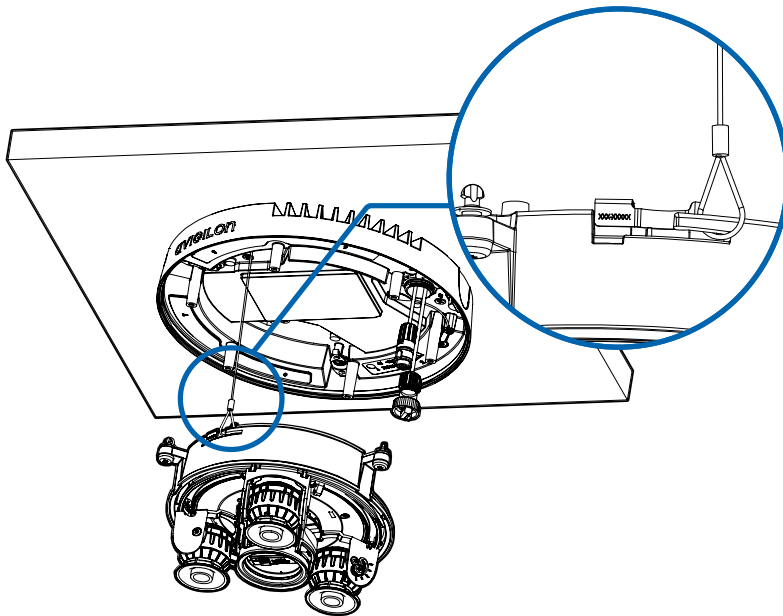
The network cable connection can also be used to supply power to the camera using Power over Ethernet (PoE). If using PoE, connect a PoE compliant injector or switch to the Ethernet network cable with the output rated:

- With IR Ring: Microsemi PD9601G/AC (90 W) or Microsemi PD9501GR/AC (60 W) Power over Ethernet mid-span injector.
  - Without IR Ring: 25.5 W PoE+, IEEE802.3at Type 2 PoE+.
2. Connect the following optional connections to the supplied pigtail I/O connector. See *Connecting to Power, Audio, and External Devices* on page 59 for more information on the different connections.
    - a. If external input or output devices are part of the installation (for example: door contacts, relays, etc.), wire those devices to the pigtail connector.
    - b. If an external microphone or speaker is required, connect the devices to the pigtail connector.
    - c. If external power is required, connect an external "Class 2" or "LPS" or "Limited Power Source" to the pigtail connector with output rated:
      - With IR Ring: 24 VAC  $\pm$  10%, 74 VA minimum, or 24 VDC  $\pm$  10%, 52 W minimum.

- Without IR Ring: 24 VAC  $\pm$  10%, 37 VA minimum, or 24 VDC  $\pm$  10%, 26 W minimum.

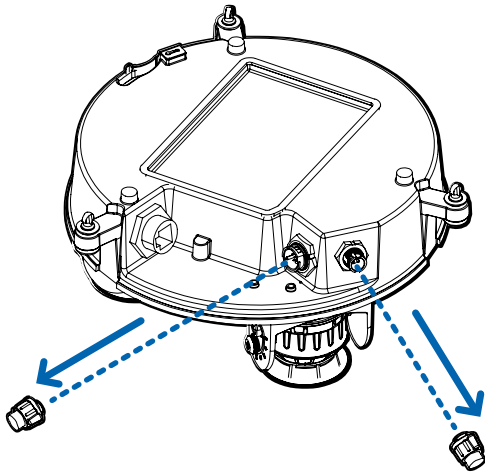


3. Connect the safety lanyard from the mounting adapter to the lanyard anchor on the camera base.

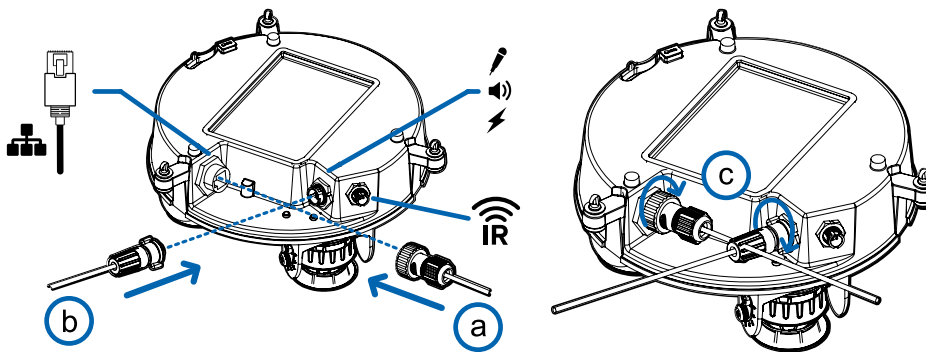


4. Tighten the cable glands around the cables.
5. Remove the connector covers from the external power/audio/digital I/O connector and the optional

IR illuminator connector.



6. Connect the network cable to the Ethernet port (a) and the external power/audio/digital I/O cable to its connector (b). Secure the connections by turning them clockwise (c).



The Link LED will turn on once a network link has been established.

7. Check that the Connection Status LED indicator indicates the correct state. For more information, see *Connection Status LED Indicator* on page 63.

### (Optional) Configuring microSD Card Storage

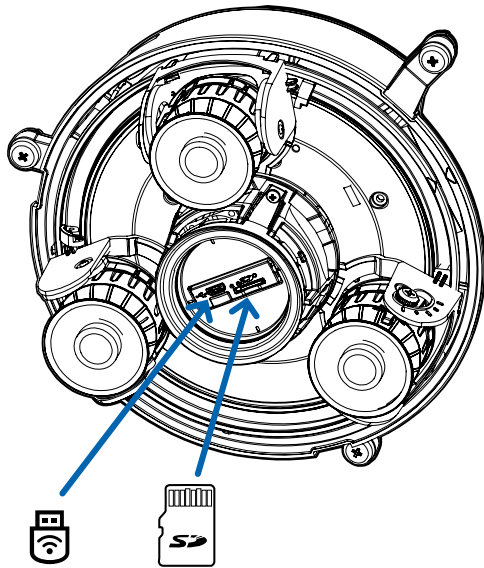
To use the camera's SD card storage feature, you must insert a microSD card into the card slot.

It is recommended that the microSD card have a write speed of class 10 or better. If the microSD card does not meet the recommended write speed, the recording performance may suffer and result in the loss of frames or footage.

1. Insert a microSD card into the camera.



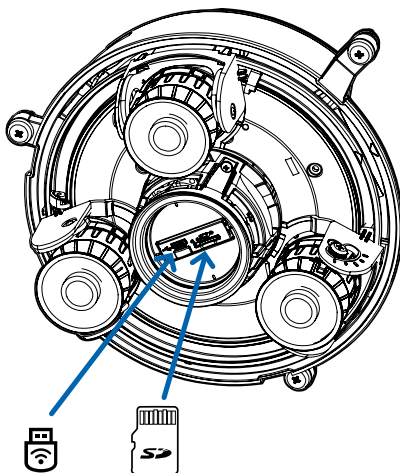
**CAUTION** — Do not force the microSD card into the camera or you may damage the card and the camera.



2. Access the camera's web interface to enable the onboard storage feature. For more information, see the *Avigilon High Definition H.264 Camera Web Interface User Guide*.

### (Optional) Using the USB Wi-Fi Adapter

If you have a USB Wi-Fi Adapter (H4-AC-WIFI), attach it to the camera's micro USB port to access the camera's mobile web interface.



After you connect to the Wi-Fi signal broadcast by the adapter, you can access the mobile web interface from any mobile device using the following address:

`http://camera.lan`

For more information about configuring the camera from the mobile web interface see *Avigilon USB Wi-Fi Adapter System User Guide*.

**NOTE:** The camera will reserve the 10.11.22.32/28 subnet for internal use while the USB Wi-Fi Adapter is plugged in.

## Assigning an IP Address

The device automatically obtains an IP address when it is connected to a network.

**NOTE:** If the device cannot obtain an IP address from a DHCP server, it will use Zero Configuration Networking (Zeroconf) to choose an IP address. When set using Zeroconf, the IP address is in the 169.254.0.0/16 subnet.

The IP address settings can be changed using one of the following methods:

- The mobile web interface using the USB Wifi Adapter. For more information, see *(Optional) Using the USB Wi-Fi Adapter* on the previous page.
- Device's web browser interface: `http://<camera IP address>/`.
- Network Video Management software application (for example, the AvigilonControl Center software).
- ARP/Ping method. For more information, see *Setting the IP Address Using the ARP/Ping Method* on page 65.

**NOTE:** The default device username is `administrator` with no password.

**NOTE:** You will be unable to connect an H4 Multisensor camera to ACC software version 6.12 or older if any of the H4 Multisensor heads have their **Format** set to **H.265** on the Compression and Image Rate page of the camera's web interface. To connect an H4 Multisensor camera to an ACC system, be sure to set the **Format** to **H.264** or to upgrade the ACC software to v6.12.2 or later.

## Accessing the Live Video Stream

Live video stream can be viewed using one of the following methods:

- The mobile web interface using the USB Wifi Adapter. For more information, see *(Optional) Using the USB Wi-Fi Adapter* on the previous page.
- Web browser interface: `http://< camera IP address>/`.
- Network Video Management software application (for example, the AvigilonControl Center software).

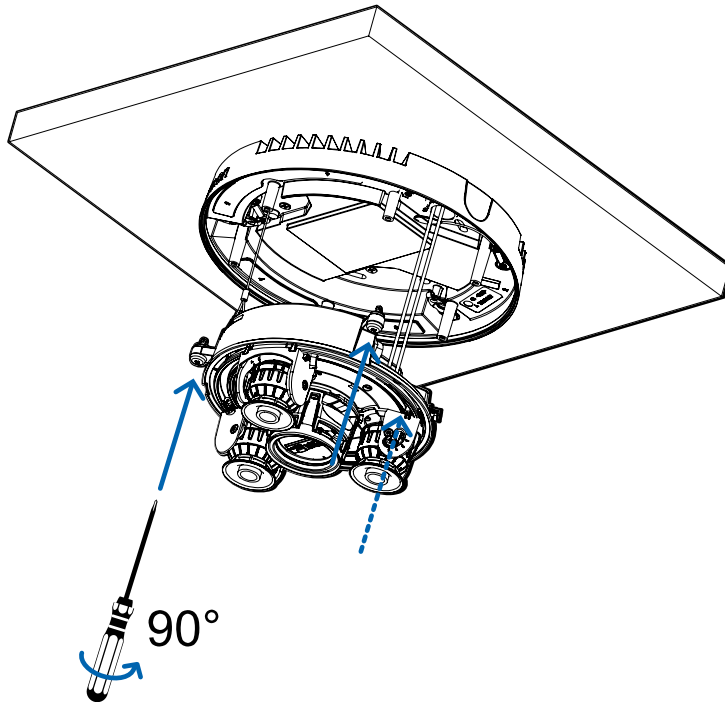
**NOTE:** The default device username is `administrator` with no password.

**NOTE:** You will be unable to connect an H4 Multisensor camera to ACC software version 6.12 or older if any of the H4 Multisensor heads have their **Format** set to **H.265** on the Compression and Image Rate page of the camera's web interface. To connect an H4 Multisensor camera to an ACC system, be sure to set the **Format** to **H.264** or to upgrade the ACC software to v6.12.2 or later.

## Installing the H4 Multisensor Camera Base to a Surface Mount

After the cable connections have been made, mount the H4 Multisensor camera base into the surface mount adapter.

1. (Recommended) Attach a safety lanyard from the surface mount adapter to the lanyard anchor on the camera base to prevent the camera from falling. See *Connecting Cables* on page 35.
2. Push the camera base into the surface mount adapter so that the 3 setscrews in the camera base align with the screw holes in the surface mount adapter.



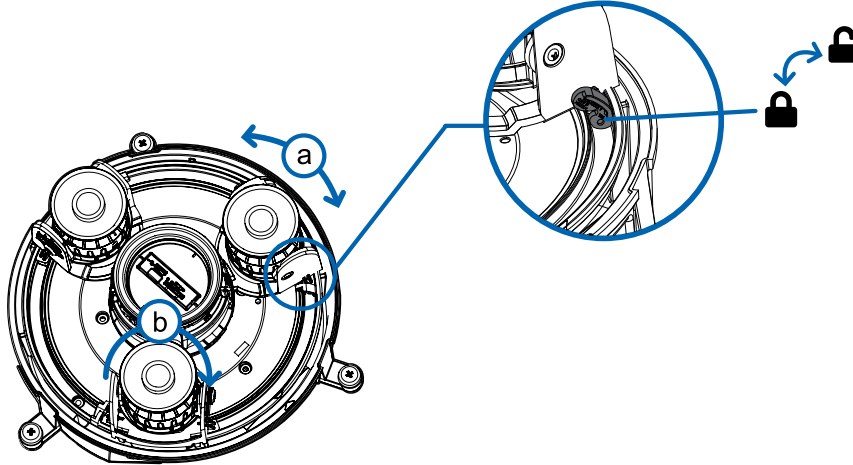
3. Use a screwdriver to turn the 3 setscrews clockwise by 90° and secure the camera to the surface mount adapter.

### Aiming the H4 Multisensor Camera

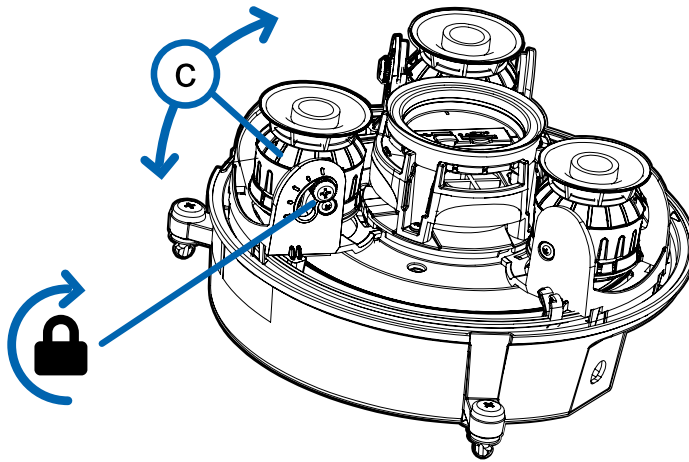
Reference the camera's live stream as you aim the camera.



1. To aim the camera, adjust each of the available camera heads as required:
  - a. Unlock the rail release tab to move the camera head from side to side. Lock the rail release tab when the camera head is in the desired position.
  - b. Rotate the azimuth control ring to set the image in the correct rotation.



- c. Loosen the tilt lock screws to tilt each camera head up and down. Tighten the tilt lock screws when the camera is tilted in the correct angle.



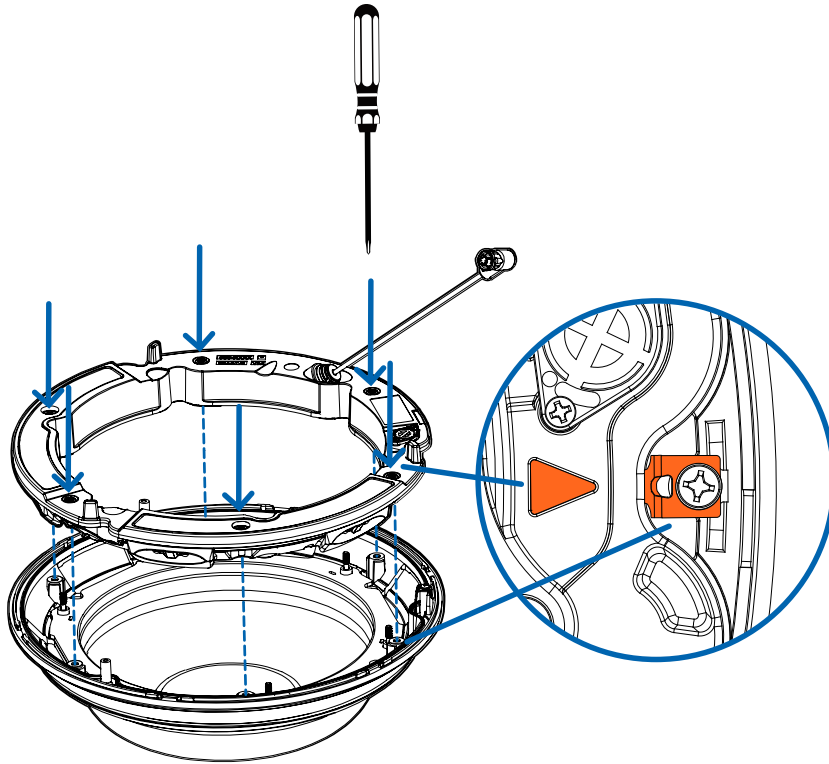
2. In the camera web browser interface, adjust the camera's Image and Display settings to achieve the desired image parameters and position.

### (Optional) Installing the IR Illuminator Ring

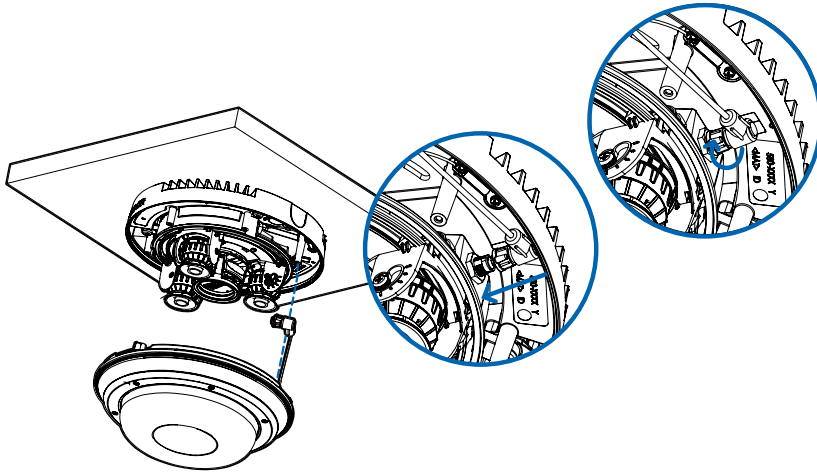
**NOTE:** The optional IR illuminator ring (H4AMH-AD-IRIL1) is compatible with the pendant and surface mount installations of the H4 Multisensor camera. The IR illuminator ring must be mounted in an outdoor dome cover (H4AMH-DO-COVR1 or H4AMH-DO-COVR1-SMOKE).

After the camera has been mounted into the mounting adapter, install the IR illuminator ring with the H4 Multisensor camera base:

1. Mount the IR illuminator ring into the dome cover (H4AMH-DO-COVR1 or H4AMH-DO-COVR1-SMOKE):
  - a. Insert the IR ring into the dome cover so that the orange arrow on the IR ring aligns with the orange tab on the dome cover.



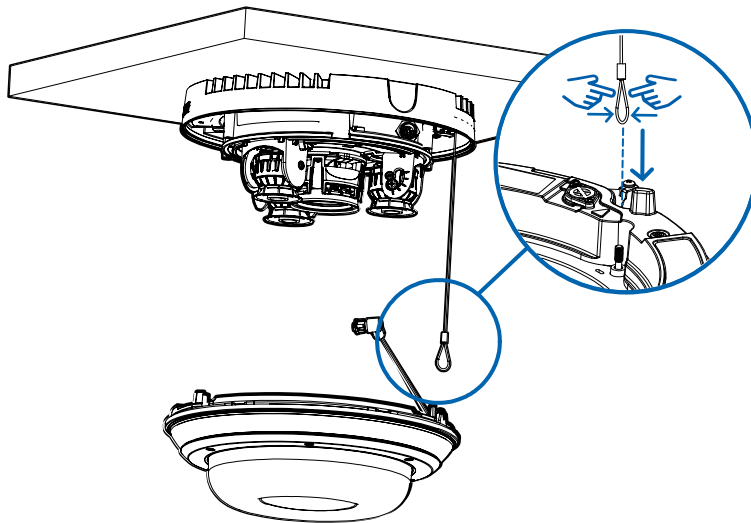
- b. Use a screwdriver to secure the IR ring to the dome cover by tightening the 6 setscrews.
2. (Recommended) Attach a safety lanyard from the mounted camera to the lanyard anchor on the dome cover to prevent the cover from falling. See *Installing the Surface Mount Dome Cover* on the next page.
3. Push the IR ring cable onto IR connector on the camera base and turn the connector clockwise to secure the connection.



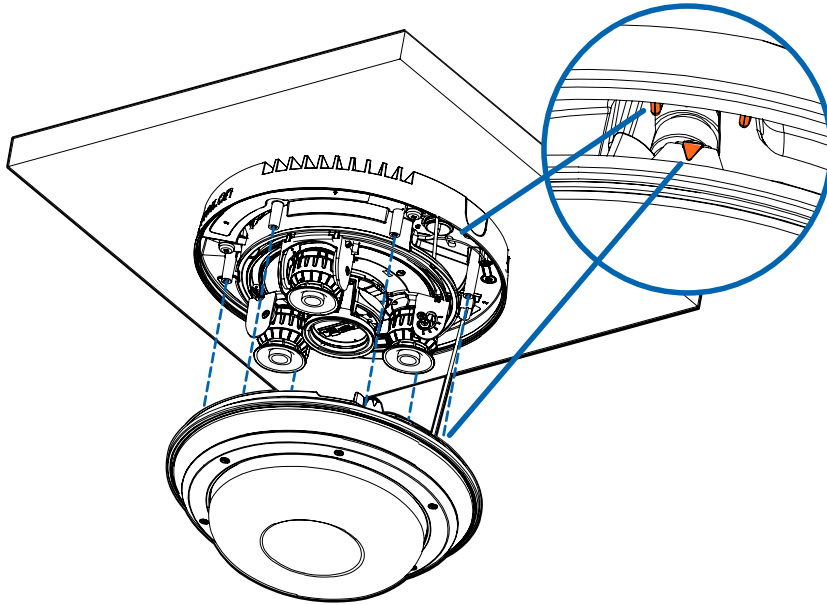
## Installing the Surface Mount Dome Cover

**NOTE:** Be careful not to scratch or touch the dome bubble. The resulting marks or fingerprints may affect the overall image quality. Keep the protective covers on the outside of the dome bubble until the installation is complete.

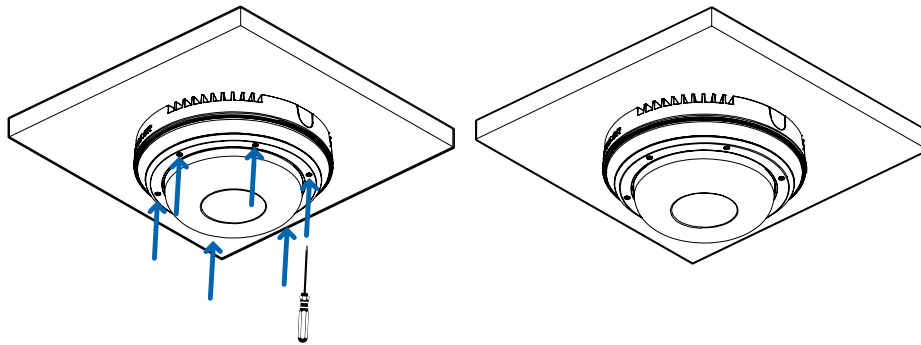
1. (Recommended) Attach a safety lanyard from the surface mount adapter to the lanyard anchor on the dome cover to prevent the dome cover from falling.



2. Align the notches on the dome cover with the release tab on the surface mount adapter. The dome cover should be flush against the surface mount adapter.



3. Tighten the setscrews to secure the dome cover in place.



# In-Ceiling Mount Installation

## Camera Package Contents

The H4 Multisensor camera has a variety of different mounting, dome cover, camera and accessory options. The components for each H4 Multisensor camera will arrive in a camera package, a dome cover package, a mounting adapter package, a mount package (for pendant mount cameras), and an optional IR Ring package.

Ensure the camera package contains the following:

- Avigilon H4 Multisensor Camera module. A 3- or 4-sensor camera module with 3 MP, 5 MP, or 4K (8 MP) resolution per sensor.
- Audio, external power, and I/O pigtail cable connector
- RJ45 CAT5E plugs (x2)
- RJ45 connector waterproof gland

Ensure the In-Ceiling mount adapter package contains the following:

- In-ceiling mount adapter (H4AMH-AD-CEIL1)
- Cable entry cover
- Installation instructions sheet
- Mounting template sticker

Ensure the dome cover package contains the following:

- Clear or smoked dome bubble and cover (H4AMH-DC-COVR1 or H4AMH-DC-COVR1-SMOKE)

If you are installing the in-ceiling camera with the metal ceiling panel, ensure the package includes the following:

- Metal ceiling panel (H4AMH-DC-CPNL1)

## In-Ceiling Mount Installation Steps

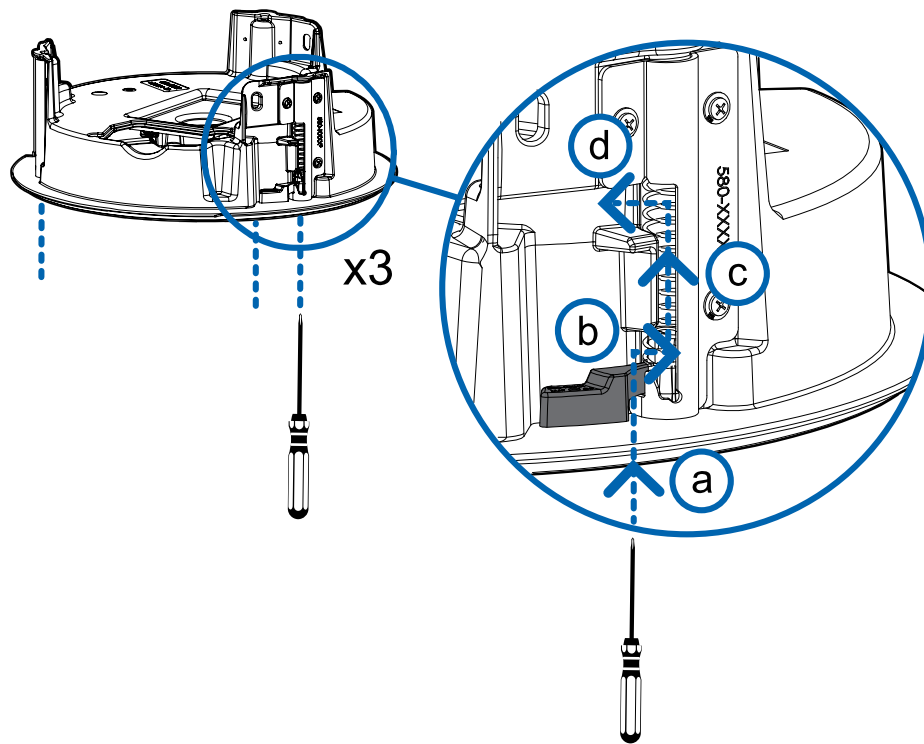
Complete the following sections to install the device.

### Preparing the Camera for In-Ceiling Installation

Before starting the installation, prepare the in-ceiling adapter for installation:

1. If you are planning to use onboard storage, insert a microSD card into the SD card slot on the H4 Multisensor camera. For more information, see *(Optional) Configuring microSD Card Storage* on page 52.
2. Use a screwdriver to push each of the clamps into their top positions and ensure their springs are fully

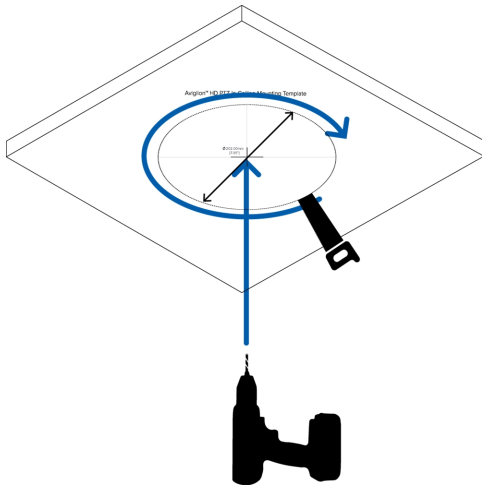
compressed. In one smooth motion, push each clamp up (a), clockwise (b), up again (c), and then counter-clockwise (d).



### (Optional) Cutting the Mounting Hole for the In-Ceiling Mount Adapter

This procedure is not required if you are planning to install the camera with a metal ceiling panel (H4AMH-DC-CPNL1).

1. Use the mounting template to cut a hole in the mounting surface.

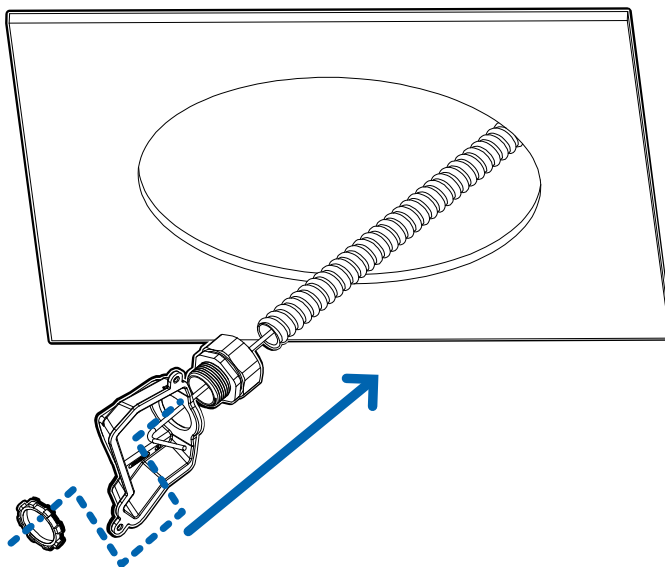


2. Remove the mounting template and pull the required cables through the mounting hole. If you are using a conduit pipe to route the cables, see *(Optional) Attaching the Conduit Cable Entry Cover for Plenum Installations* below.

### (Optional) Attaching the Conduit Cable Entry Cover for Plenum Installations

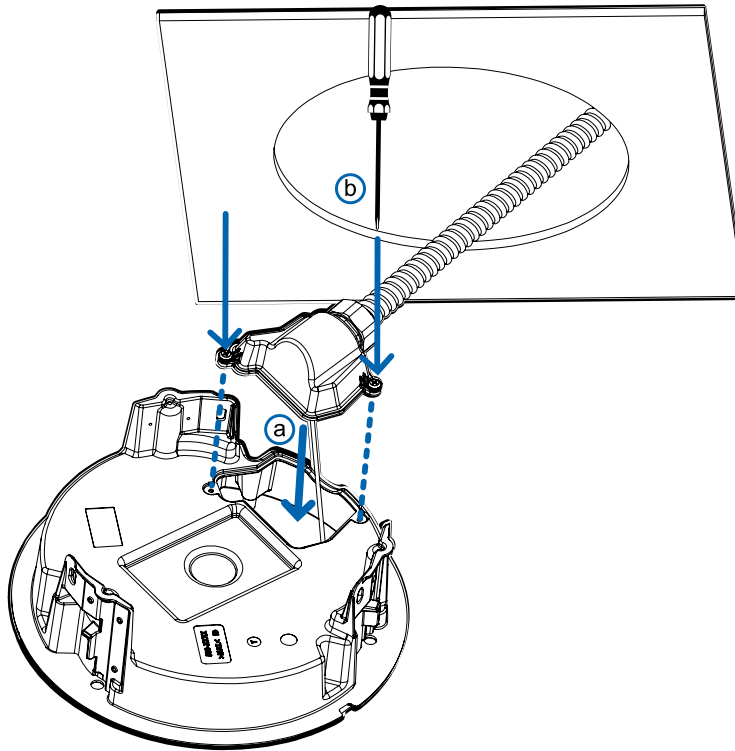
If you are installing the H4 Multisensor camera into a plenum space, use a conduit pipe and the cable entry cover to route the cables through the in-ceiling adapter.

1. Route the required cables through a conduit pipe at the installation location.
2. Attach a conduit connector to the cable entry cover. Install the conduit and its fitting as instructed by the manufacturer. Make sure the conduit is securely fastened to the cable entry cover.



3. Pull the required cables through the conduit and cable entry cover, then through the cable entry hole

in the in-ceiling adapter (a). Fasten the cable entry cover over the cable entry hole in the in-ceiling adapter using the provided setscrews (b).

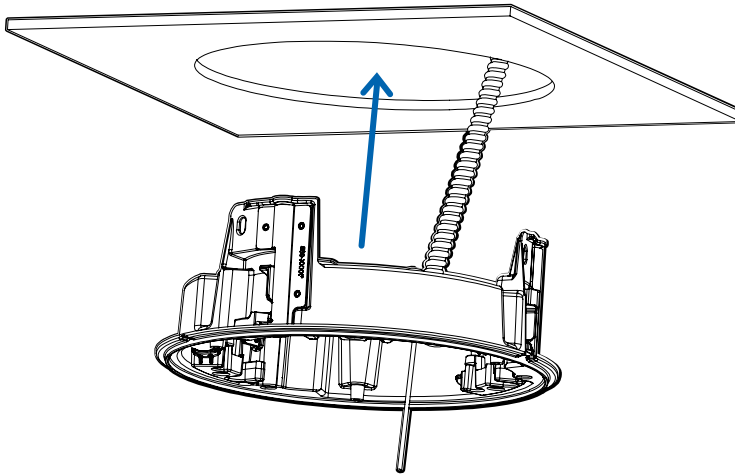


### Installing the In-Ceiling Mounting Adapter

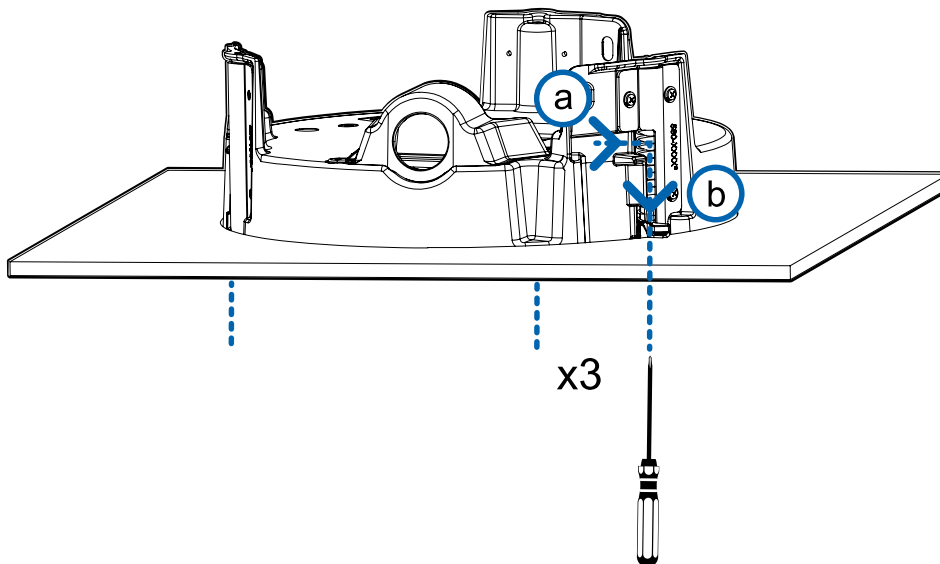
Use the following procedure to mount the in-ceiling adapter into a plenum space or the metal ceiling panel (H4AMH-DC-CPNL1).



1. After routing the cables through the in-ceiling adapter, push the adapter into the hole in the mounting surface.



2. Use a screwdriver to lower each of the clamps from their top positions and secure the adapter to the mounting surface. In one smooth motion, move each clamp clockwise (a), and then down to its secure position (b).



## Connecting Cables

Refer to the diagrams in the Overview section for the location of the different connectors.

To connect the cables required for proper operation, complete the following:

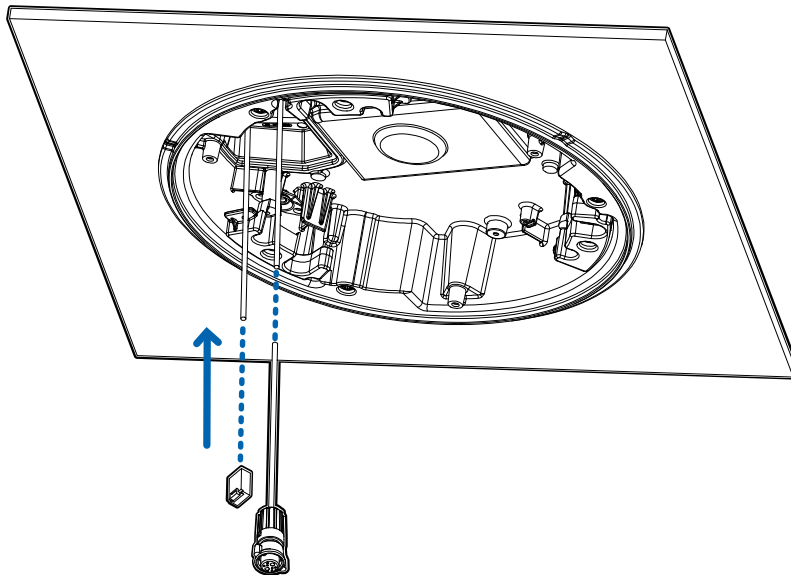
1. Crimp the RJ-45 cable connector (supplied) to the end of your network cable.

The network cable connection can also be used to supply power to the camera using Power over Ethernet (PoE). If using PoE, connect a PoE compliant injector or switch to the Ethernet network cable with the output rated:

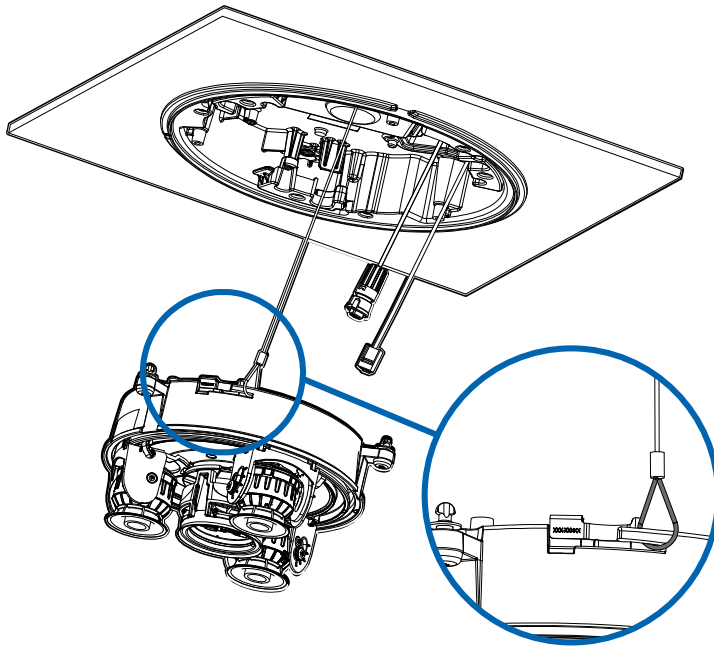
- 25.5 W PoE+, IEEE802.3at Type 2 PoE+.

2. Connect the following optional connections to the supplied pigtail I/O connector. See *Connecting to Power, Audio, and External Devices* on page 59 for more information on the different connections.
  - a. If external input or output devices are part of the installation (for example: door contacts, relays, etc.), wire those devices to the pigtail connector.
  - b. If an external microphone or speaker is required, connect the devices to the pigtail connector.
  - c. If external power is required, connect an external "Class 2" or "LPS" or "Limited Power Source" to the pigtail connector with output rated:

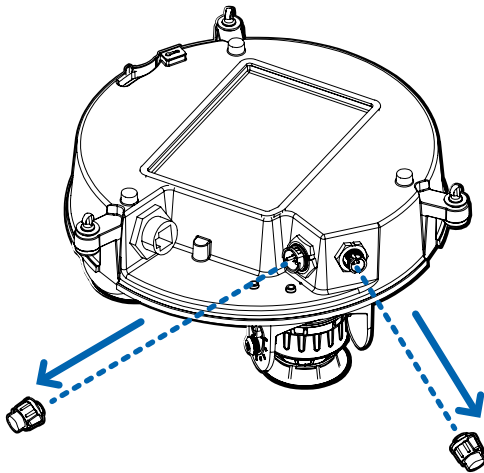
- 24 VAC  $\pm$  10%, 37 VA minimum, or 24 VDC  $\pm$  10%, 26 W minimum.



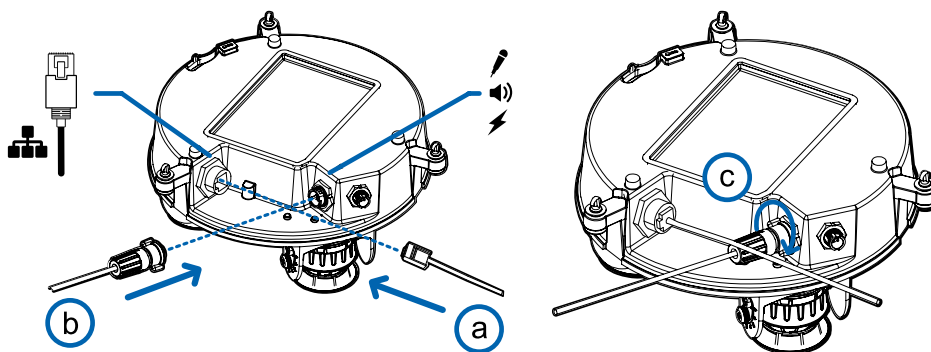
3. Connect the safety lanyard from the mounting adapter to the lanyard anchor on the camera base.



4. Tighten the cable glands around the cables.
5. Remove the connector covers from the external power/audio/digital I/O connector and the optional IR illuminator connector.



6. Connect the network cable to the Ethernet port (a) and the external power/audio/digital I/O cable to its connector (b). Secure the connections by turning them clockwise (c).



The Link LED will turn on once a network link has been established.

7. Check that the Connection Status LED indicator indicates the correct state. For more information, see *Connection Status LED Indicator* on page 63.

### (Optional) Configuring microSD Card Storage

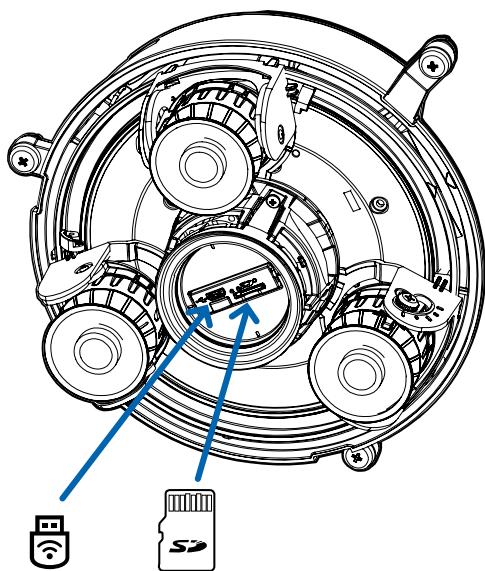
To use the camera's SD card storage feature, you must insert a microSD card into the card slot.

It is recommended that the microSD card have a write speed of class 10 or better. If the microSD card does not meet the recommended write speed, the recording performance may suffer and result in the loss of frames or footage.

1. Insert a microSD card into the camera.



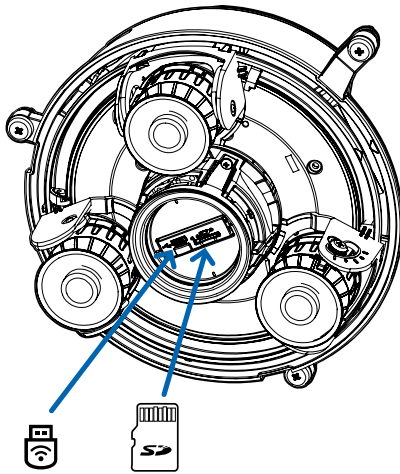
**CAUTION** — Do not force the microSD card into the camera or you may damage the card and the camera.



2. Access the camera's web interface to enable the onboard storage feature. For more information, see the *Avigilon High Definition H.264 Camera Web Interface User Guide*.

## (Optional) Using the USB Wi-Fi Adapter

If you have a USB Wi-Fi Adapter (H4-AC-WIFI), attach it to the camera's micro USB port to access the camera's mobile web interface.



After you connect to the Wi-Fi signal broadcast by the adapter, you can access the mobile web interface from any mobile device using the following address:

`http://camera.lan`

For more information about configuring the camera from the mobile web interface see *Avigilon USB Wi-Fi Adapter System User Guide*.

**NOTE:** The camera will reserve the 10.11.22.32/28 subnet for internal use while the USB Wi-Fi Adapter is plugged in.

## Assigning an IP Address

The device automatically obtains an IP address when it is connected to a network.

**NOTE:** If the device cannot obtain an IP address from a DHCP server, it will use Zero Configuration Networking (Zeroconf) to choose an IP address. When set using Zeroconf, the IP address is in the 169.254.0.0/16 subnet.

The IP address settings can be changed using one of the following methods:

- The mobile web interface using the USB Wifi Adapter. For more information, see *(Optional) Using the USB Wi-Fi Adapter* above.
- Device's web browser interface: `http://<camera IP address>/`.
- Network Video Management software application (for example, the AvigilonControl Center software).
- ARP/Ping method. For more information, see *Setting the IP Address Using the ARP/Ping Method* on page 65.

**NOTE:** The default device username is `administrator` with no password.

**NOTE:** You will be unable to connect an H4 Multisensor camera to ACC software version 6.12 or older if any of the H4 Multisensor heads have their **Format** set to **H.265** on the Compression and Image Rate page of the camera's web interface. To connect an H4 Multisensor camera to an ACC system, be sure to set the **Format** to **H.264** or to upgrade the ACC software to v6.12.2 or later.

## Accessing the Live Video Stream

Live video stream can be viewed using one of the following methods:

- The mobile web interface using the USB Wifi Adapter. For more information, see *(Optional) Using the USB Wi-Fi Adapter* on the previous page.
- Web browser interface: `http://< camera IP address > /`.
- Network Video Management software application (for example, the AvigilonControl Center software).

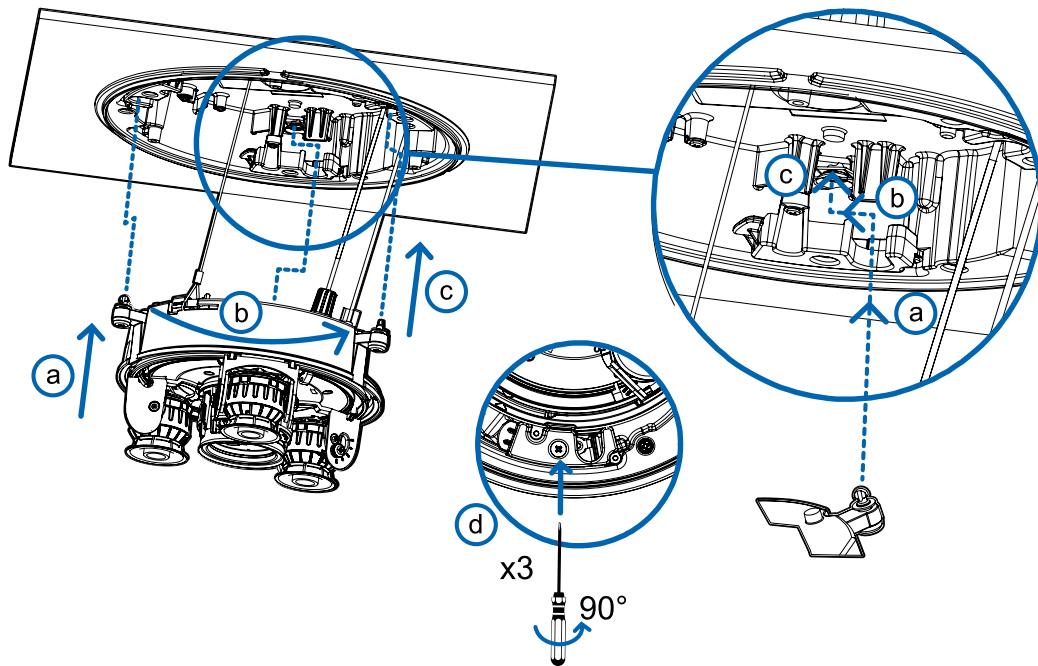
**NOTE:** The default device username is `administrator` with no password.

**NOTE:** You will be unable to connect an H4 Multisensor camera to ACC software version 6.12 or older if any of the H4 Multisensor heads have their **Format** set to **H.265** on the Compression and Image Rate page of the camera's web interface. To connect an H4 Multisensor camera to an ACC system, be sure to set the **Format** to **H.264** or to upgrade the ACC software to v6.12.2 or later.

## Installing the H4 Multisensor Camera Base to an In-Ceiling Mount

After the cable connections have been made, mount the H4 Multisensor camera base into the in-ceiling mount adapter.

1. (Recommended) Attach a safety lanyard from the in-ceiling mount adapter to the lanyard anchor on the camera base to prevent the camera from falling. See *Connecting Cables* on page 50.
2. Push the camera module into the in-ceiling mounting adapter so that the 3 setscrews pass through the 3 slots (a). In one smooth motion, push the camera module up through the 3 slots (a), twist clockwise (b), and push up again so the 3 setscrews are positioned at the 3 screw holes (c).

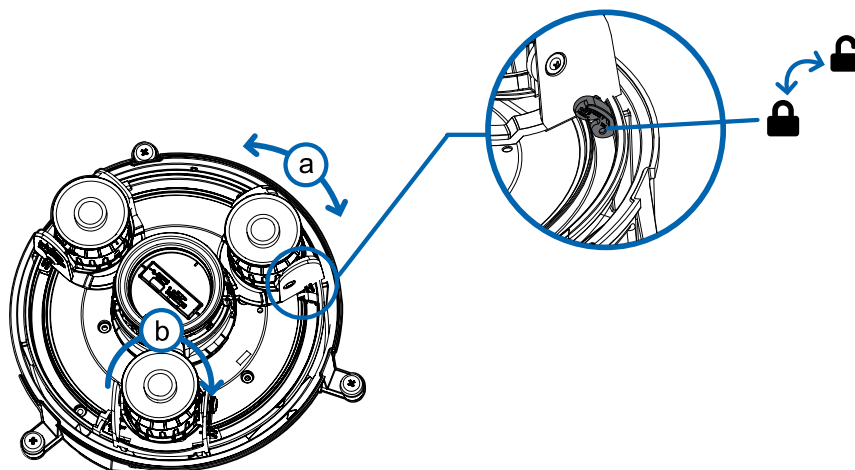


3. Use a screwdriver to turn the 3 setscrews clockwise by 90° and secure the camera into the in-ceiling mount adapter (d).

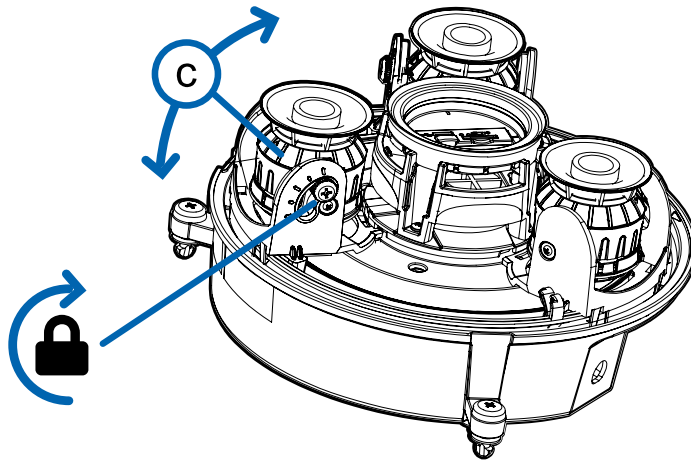
## Aiming the H4 Multisensor Camera

Reference the camera's live stream as you aim the camera.

1. To aim the camera, adjust each of the available camera heads as required:
  - a. Unlock the rail release tab to move the camera head from side to side. Lock the rail release tab when the camera head is in the desired position.
  - b. Rotate the azimuth control ring to set the image in the correct rotation.



- c. Loosen the tilt lock screws to tilt each camera head up and down. Tighten the tilt lock screws when the camera is tilted in the correct angle.

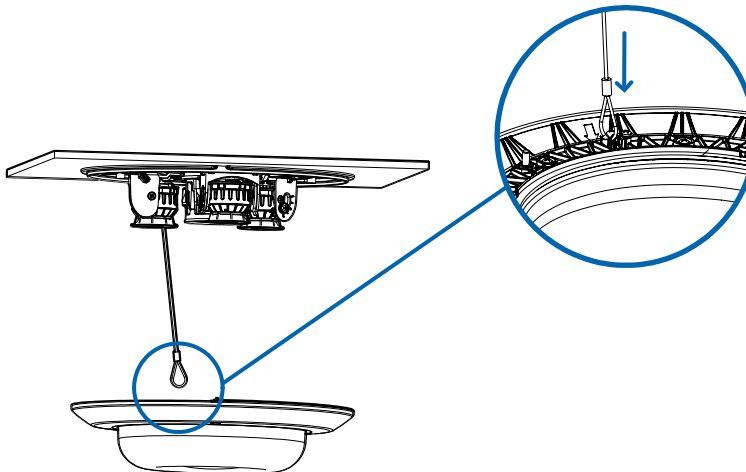


2. In the camera web browser interface, adjust the camera's Image and Display settings to achieve the desired image parameters and position.

### Installing the In-Ceiling Mount Dome Cover

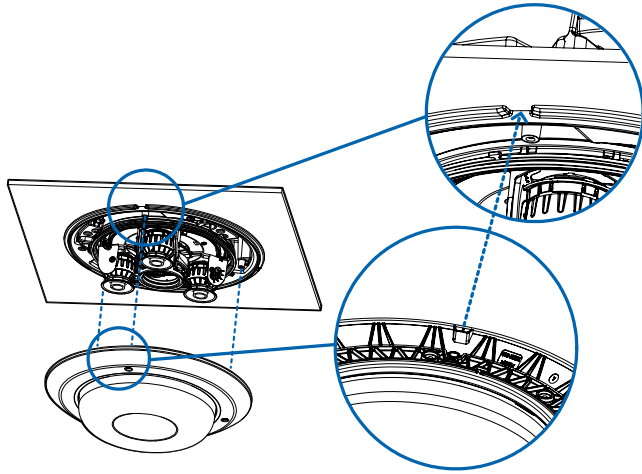
**NOTE:** Be careful not to scratch or touch the dome bubble. The resulting marks or fingerprints may affect the overall image quality. Keep the protective covers on the outside of the dome bubble until the installation is complete.

1. (Recommended) Attach a safety lanyard from the in-ceiling mount adapter to the lanyard anchor on the dome cover to prevent the cover from falling.

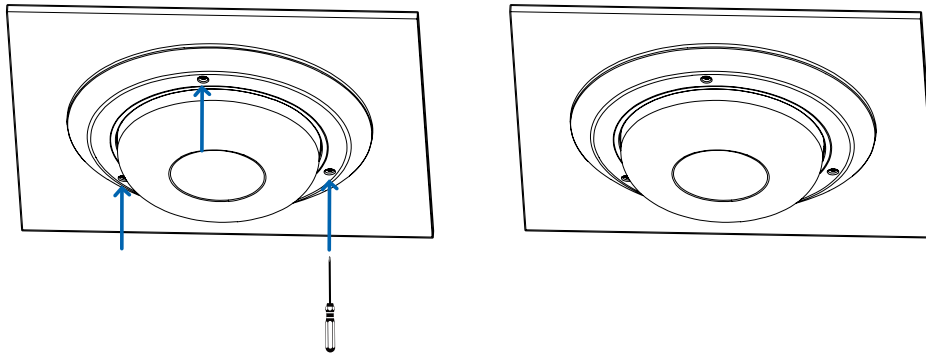


2. Align the notches on the dome cover with the release tab on the in-ceiling mount adapter. The dome cover should be flush against the mounting surface.





3. Tighten the setscrews to secure the dome cover in place.



# For More Information

Additional information about setting up and using the device is available in the following guides:

- *Avigilon Control Center Client User Guide*
- *Web Interface User Guide — Avigilon High Definition H.264 IP Cameras*
- *Avigilon USB Wi-Fi Adapter System User Guide*
- *Avigilon Camera Configuration Tool User Guide*
- *Designing a Site with Avigilon Video Analytics*

These guides are available on the Avigilon website: [avigilon.com/support-and-downloads](https://www.avigilon.com/support-and-downloads).

# Cable Connections

## Connecting to Power, Audio, and External Devices

If PoE is not available, the camera may be powered through the auxiliary power cable using either 24 V DC or 24 V AC. The power consumption information is listed in the product specifications.

To power the camera, connect the two power wires to the brown and blue auxiliary power wires. The connection can be made with either polarity.

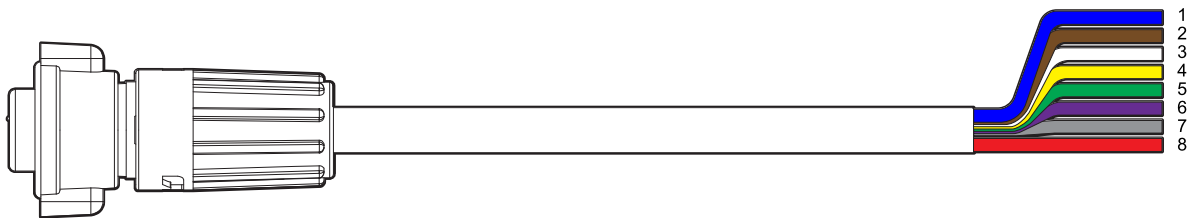
**WARNING** — This product is intended to be supplied by a UL Listed Power Unit marked “Class 2” or “LPS” or “Limited Power Source” with output rated:



- With IR LEDs: 24 V AC  $\pm$  10%, 74 VA minimum, or 24 V DC  $\pm$  10%, 52 W minimum, or a Microsemi PD9601G/AC (90 W) or Microsemi PD9501GR/AC (60 W) Power over Ethernet mid-span injector.
- Without IR LEDs: 24 V AC  $\pm$  10%, 37 VA minimum, or 24 V DC  $\pm$  10%, 26 W minimum, or PoE+ IEEE802.3at Type 2 compliant Power Sourcing Equipment (PSE) rated 50-57 V DC, 25.5 W minimum.

### Pigtail Connector and Wires

Power supplies, audio devices, and external devices are connected to the camera through the power, audio, and I/O pigtail. The following diagram and table shows the I/O, audio, and power pigtail connector and wires:

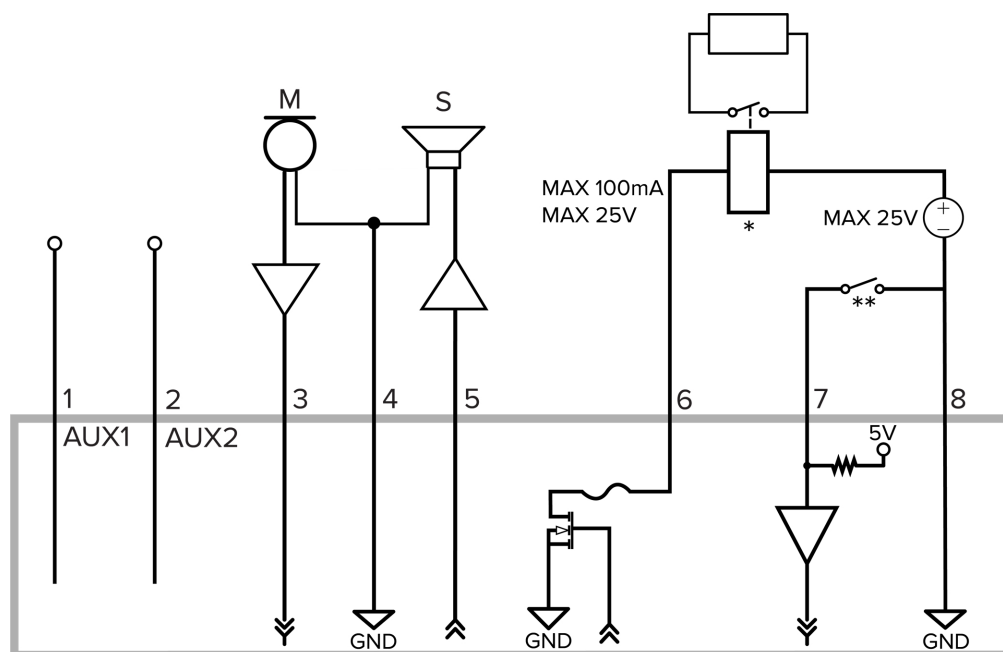


| Wire | Color  | Description                         |
|------|--------|-------------------------------------|
| 1    | Blue   | AUX1 Power, accepts either polarity |
| 2    | Brown  | AUX2 Power, accepts either polarity |
| 3    | White  | Audio IN                            |
| 4    | Yellow | Audio GND                           |
| 5    | Green  | Audio OUT                           |
| 6    | Purple | Relay OUT                           |

| Wire | Color | Description |
|------|-------|-------------|
| 7    | Gray  | Relay GND   |
| 8    | Pink  | Relay IN    |

## Wiring Audio, I/O, and AUX Power

The connections for the I/O, audio, and power wires is shown in the following diagram:



1. Brown — AUX1 Auxiliary Power wire, accepts either polarity
2. Blue — AUX2 Auxiliary Power wire, accepts either polarity
3. Brown — Audio Input (line level)

An external power amplifier should be used when connecting speakers and microphones, as shown in the diagram.

4. Yellow — Audio Ground return
5. Green — Audio Output (line level)
6. Purple — Relay Output: When active, Output is internally connected with the Ground. Circuit is open when inactive. Maximum load is 25 V DC, 100 mA.
7. Gray — Relay Ground return
8. Red — Relay Input: To activate, connect the Input to the Ground wire. To deactivate, leave it disconnected or apply between 3-15 V.

- \* — Relay
- \*\* — Switch
- M — Microphone
- S — Speaker
- AUX1 — Brown Auxiliary Power wire
- AUX2 — Blue Auxiliary Power wire

# Focusing the H4 Multisensor Camera

Ensure this procedure is performed after the dome cover is installed so you can accommodate for the focus shift caused by the dome bubble.

**NOTE:** Ensure you adjust the focus for each of the camera heads included with your H4 Multisensor camera.

In the camera web browser interface or the Avigilon Control Center software, use the camera's Image and Display settings to focus the camera.

1. Click **Auto Focus** to focus the lens.
2. Use the focus near and far buttons to manually adjust the focus.

# Connection Status LED Indicator

Once connected to the network, the Connection Status LED indicator will display the progress in connecting to the Network Video Management software.

The following table describes what the LED indicator shows:

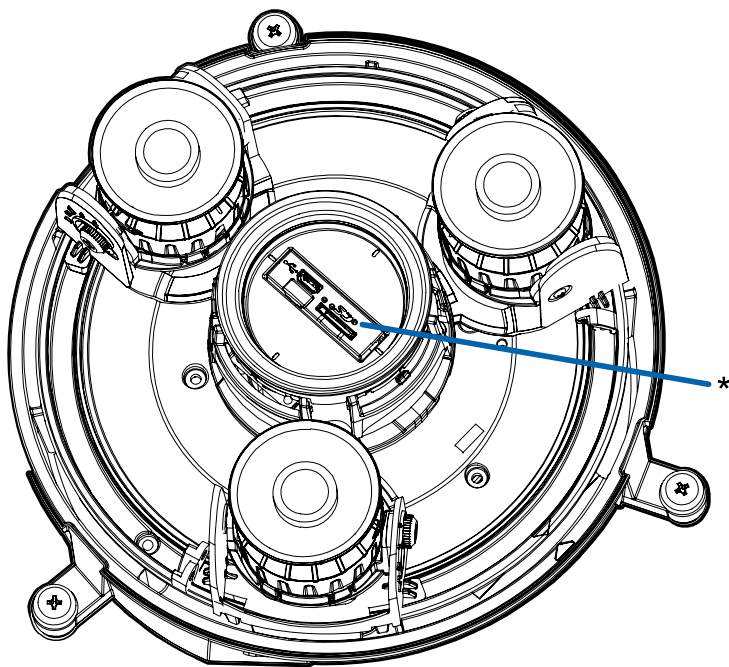
| <b>Connection State</b> | <b>Connection Status LED Indicator</b>            | <b>Description</b>   |
|-------------------------|---|--|
| Obtaining IP Address    | One short flash every second                      | Attempting to obtain an IP address.  |
| Discoverable            | Two short flashes every second                    | Obtained an IP address but not connected to the Network Video Management software.   |
| Upgrading Firmware      | Two short flashes and one long flash every second | Updating the firmware.   |
| Connected               | On  | Connected to the Network Video Management software or an ACC Server. The default connected setting can be changed to Off using the camera's web user interface. For more information see the <i>Web Interface User Guide — Avigilon High Definition H.264 IP Cameras</i> . |

# Resetting to Factory Default Settings

If the device no longer functions as expected, you can choose to reset the device to its factory default settings.

Use the firmware revert button to reset the device. The firmware revert button is shown in the following diagram:

**NOTE:** Be careful not to scratch the dome bubble.



1. Ensure the camera is powered on.
2. Remove the dome cover.
3. Using a straightened paperclip or similar tool, gently press and hold the firmware revert button (\*) for two seconds.
4. Re-install the dome cover.



**CAUTION** — Do not apply excessive force. Inserting the tool too far will damage the camera.



# Setting the IP Address Using the ARP/Ping Method

Complete the following steps to configure the camera to use a specific IP address:

**NOTE:** The ARP/Ping Method will not work if the **Disable setting static IP address through ARP/Ping method** check box is selected in the camera's web browser interface. For more information, see the *Web Interface User Guide — Avigilon High Definition H.264 IP Cameras*.

1. Locate and make note of the MAC Address (MAC) listed on the Serial Number Tag for reference.
2. Open a Command Prompt window and enter the following commands:

- a. `arp -s <New Camera IP Address> <Camera MAC Address>`

For example: `arp -s 192.168.1.10 00-18-85-12-45-78`

- b. `ping -l 123 -t <New Camera IP Address>`

For example: `ping -l 123 -t 192.168.1.10`

3. Reboot the camera.
4. Close the Command Prompt window when you see the following message:

Reply from <New Camera IP Address>: ...

# Cleaning

## Dome Bubble

If the video image becomes blurry or smudged in areas, it may be because the dome bubble requires cleaning.

To clean the dome bubble:

- Use hand soap or a non-abrasive detergent to wash off dirt or fingerprints.
- Use a microfiber cloth or non-abrasive fabric to dry the dome bubble.

**Important:** Failure to use the recommended cleaning materials may result in a damaged or scratched dome bubble. A damaged dome bubble may negatively impact image quality and cause unwanted IR light reflecting into the lens.

## Body

- Use a dry or lightly dampened cloth to clean the camera body.
- Do not use strong or abrasive detergents.

# Limited Warranty and Technical Support

Avigilon warranty terms for this product are provided at [avigilon.com/warranty](https://www.avigilon.com/warranty).

Warranty service and technical support can be obtained by contacting Avigilon Technical Support: [avigilon.com/contact-us/](https://www.avigilon.com/contact-us/).